



Site Planning	Environmental Studies
Civil Engineering	Entitlements
Landscape Architecture	Construction Services
Land Surveying	3D Visualization
Transportation Engineering	Laser Scanning

**TRANSMITTAL**

Date: **6/11/2021**

To: **Town of North Castle  
Residential Project Review Committee  
17 Bedford Road  
Armonk, NY 10504**

Job No.: **21058**  
Project: **Maldonado Residence  
44 Washington Avenue North  
Town of North Castle, NY**

Attn: **Mr. Adam R. Kaufman, AICP**

Enclosed please find :

<input checked="" type="checkbox"/> <b>B/W Prints</b>	<input checked="" type="checkbox"/> <b>Images</b>	<input checked="" type="checkbox"/> <b>Check</b>	<input type="checkbox"/> <b>Tracings</b>
<input type="checkbox"/> <b>3.5" Disk</b>	<input type="checkbox"/> <b>Mylars</b>	<input checked="" type="checkbox"/> <b>Applications</b>	<input type="checkbox"/> <b>Shop Drawings</b>

<u>Description</u>	<u>Revision No./Date</u>
--------------------	--------------------------

**Enclosed please find the following items for your review for our submission to the Residential Project Review Committee:**

- |  |            |
|--|------------|
| <b>1. Residential Project Review Committee (RPRC) Application, date 06/14/2021.</b>  |            |
| <b>2. JMC Drawings</b>   |            |
| SP-1 "Site Plan"   | 06/14/2021 |
| GLC-1 "Gross Land Coverage Plan"   | 06/14/2021 |
| <b>3. Check # 3323, Payable to the Town of North Castle in the amount of \$1,200.00, for the RPRC Application Fee, dated 06/11/2021.</b> |            |
| <b>4. Images:</b>  |            |
| Google Earth Aerial View   |            |
| Google Earth Closeup of the Home   |            |
| Google Earth Street View Front of Property   |            |
| EPSG3857_Date20210320_Lat41.059811_Lon-73.768870_Mpp0.149  |            |
| Overlay w/Property Lines   |            |
| Image of Pool  |            |
| <b>5. Saltwater-8000-Installation Manual</b>   |            |
| <b>6. Trendium Pool Products Engineering Letter, dated May 12, 2020</b>  |            |

**If you have any questions feel free to contact our office at (914) 273-5225.**

Sent Via:

Our Messenger     First Class Mail     **Electronically**     Fax:

Copy to: **Mr. Ray Maldonado, via email**

Sincerely,

**JMC**

Per: **James A. Ryan, RLA  
Principal**

P:\2021\21058\ADMIN\trKaufman 06-11-2021.doc



# TOWN OF NORTH CASTLE

WESTCHESTER COUNTY  
17 Bedford Road  
Armonk, New York 10504-1898

RESIDENTIAL PROJECT  
REVIEW COMMITTEE  
Adam R. Kaufman AICP, Chair

Telephone: (914) 273-3000 x 43  
Fax: (914) 273-3554  
www.nortcastleny.com

## RESIDENTIAL PROJECT REVIEW COMMITTEE (RPRC) APPLICATION

### Section I- PROJECT

ADDRESS: **44 Washington Avenue North, Town of North Castle, NY**

### Section III- DESCRIPTION OF WORK:

**Install an Aqualeader salt water above ground pool (oval in shape, 12' wide by 24' long and 54" in depth). Access to the pool will be via a single ladder. The ladder has a locking system when the pool isn't in use.**

### Section III- CONTACT INFORMATION:

APPLICANT: **(Agent) JMC Planning Engineering Landscape Architecture & Land Surveying, PLLC, c/o James A. Ryan, RLA**

ADDRESS: **120 Bedford Road, Armonk, NY 10504**

PHONE: **(914) 273-5225** MOBILE: \_\_\_\_\_ EMAIL: **jryan@jmcpllc.com**

#### PROPERTY OWNER:

**Ray Maldonado**

ADDRESS: **44 Washington Avenue North, White Plains, NY 10603**

PHONE: **914-946-3909** MOBILE: **914-447-5909** EMAIL: **638hvac2@gmail.com**

PROFESSIONAL: **JMC Planning Engineering Landscape Architecture & Land Surveying, PLLC, c/o James A. Ryan, RLA**

ADDRESS: **120 Bedford Road, Armonk, NY 10504**

PHONE: **(914) 273-5225** MOBILE: \_\_\_\_\_

EMAIL: **jryan@jmcpllc.com**

### Section IV- PROPERTY INFORMATION:

Zone: **R2-F** Tax ID (lot designation) **122.16-2-93**



**Town of North Castle  
Residential Project Review Committee**

17 Bedford Road Armonk, New York 10504  
(914) 273-3542 (914) 273-3554 (fax)

**RPRC COMPLETENESS REVIEW FORM**

*This form represents the standard requirements for a completeness review for all Residential Project Review Committee submissions. Failure to provide all of the information requested will result in a determination that the application is incomplete.*

Project Name on Plan: \_\_\_\_\_

Initial Submittal  Revised Preliminary

Street Location: **44 Washington Avenue North, Town of North Castle, NY**

Zoning District: **R2-F** Property Acreage: **0.24** Tax Map Parcel ID: **122.16-2-93**

Date: **06/14/2021**

**DEPARTMENTAL USE ONLY**

Date Filed: \_\_\_\_\_ Staff Name: \_\_\_\_\_

**Preliminary Plan Completeness Review Checklist**

Items marked with a  are complete, items left blank  are incomplete and must be completed, "NA" means not applicable.

1. Plan prepared by a registered architect or professional engineer
2. Aerial photo (Google Earth) showing the applicant's entire property and adjacent properties and streets
3. Map showing the applicant's entire property and adjacent properties and streets
4. A locator map at a convenient scale
5. The proposed location, use and design of all buildings and structures
6. Existing topography and proposed grade elevations
7. Location of drives
8. Location of all existing and proposed site improvements, including drains, culverts, retaining walls and fences

**RPRC COMPLETENESS REVIEW FORM**

Page 2

<input type="checkbox"/>	9. Description of method of water supply and sewage disposal and location of such facilities
<input type="checkbox"/>	10. The name and address of the applicant, property owner(s) if other than the applicant and of the planner, engineer, architect, surveyor and/or other professionals engaged to work
<input type="checkbox"/>	1. Submission of a Zoning Conformance Table depicting the plan's compliance with the minimum requirements of the Zoning District
<input type="checkbox"/>	2. If a tree removal permit is being sought, submission of a plan depicting the location and graphical removal status of all Town-regulated trees within the proposed area of disturbance. In addition, the tree plan shall be accompanied by a tree inventory includes a unique ID number, the species, size, health condition and removal status of each tree.
<input type="checkbox"/>	3. If a wetlands permit is being sought, identification of the wetland and the 100-foot wetland buffer.

More information about the items required herein can be obtained from the North Castle Planning Department. A copy of the Town Code can be obtained from Town Clerk or on the North Castle homepage: <http://www.northcastleny.com/townhall.html>

_____	On this date, all items necessary for a technical review of the proposed site plan have been submitted and constitute a COMPLETE APPLICATION.
-------	---



TOWN OF NORTH CASTLE  
 WESTCHESTER COUNTY  
 17 Bedford Road  
 Armonk, New York 10504-1898

PLANNING DEPARTMENT  
 Adam R. Kaufman, AICP  
 Director of Planning

Telephone: (914) 273-3542  
 Fax: (914) 273-3554  
[www.northcastleny.com](http://www.northcastleny.com)

**GROSS LAND COVERAGE CALCULATIONS WORKSHEET**

Application Name or Identifying Title: 44 Washington Avenue North, Town of North Castle Date: 06/14/2021

Tax Map Designation or Proposed Lot No.: 122.16-2-93

Gross Lot Coverage

1.	Total lot Area (Net Lot Area for Lots Created After 12/13/06):	<u>10,785</u>
2.	<b>Maximum</b> permitted gross land coverage (per Section 355-26.C(1)(b)):	<u>4,188.4</u>
3.	<b>BONUS</b> maximum gross land cover (per Section 355-26.C(1)(b)):	
	Distance principal home is beyond minimum front yard setback	
	<u>23.46</u> x 10 =	<u>234.6</u>
4.	<b>TOTAL Maximum Permitted gross land coverage</b> = Sum of lines 2 and 3	<u>4,423</u>
5.	Amount of lot area covered by <b>principal building</b> :	
	<u>809</u> existing + <u>0</u> proposed =	<u>809</u>
6.	Amount of lot area covered by <b>accessory buildings</b> :	
	<u>80</u> existing + <u>0</u> proposed =	<u>80</u>
7.	Amount of lot area covered by <b>decks</b> :	
	<u>315</u> existing + <u>0</u> proposed =	<u>315</u>
8.	Amount of lot area covered by <b>porches</b> :	
	<u>144</u> existing + <u>0</u> proposed =	<u>144</u>
9.	Amount of lot area covered by <b>driveway, parking areas and walkways</b> :	
	<u>1,088</u> existing + <u>0</u> proposed =	<u>1,088</u>
10.	Amount of lot area covered by <b>terraces</b> :	
	<u>0</u> existing + <u>0</u> proposed =	<u>0</u>
11.	Amount of lot area covered by <b>tennis court, pool and mechanical equip</b> :	
	<u>8</u> existing + <u>257</u> proposed =	<u>265</u>
12.	Amount of lot area covered by <b>all other structures</b> :	
	<u>307</u> existing + <u>0</u> proposed =	<u>307</u>
13.	Proposed <b>gross land coverage</b> : Total of Lines 5 – 12 =	<u>3,008</u>

If Line 13 is less than or equal to Line 4, your proposal **complies** with the Town's maximum gross land coverage regulations and the project may proceed to the Residential Project Review Committee for review. If Line 13 is greater than Line 4, your proposal does not comply with the Town's regulations.

James A. Ryan  
 Signature and Seal of Professional Preparing Worksheet

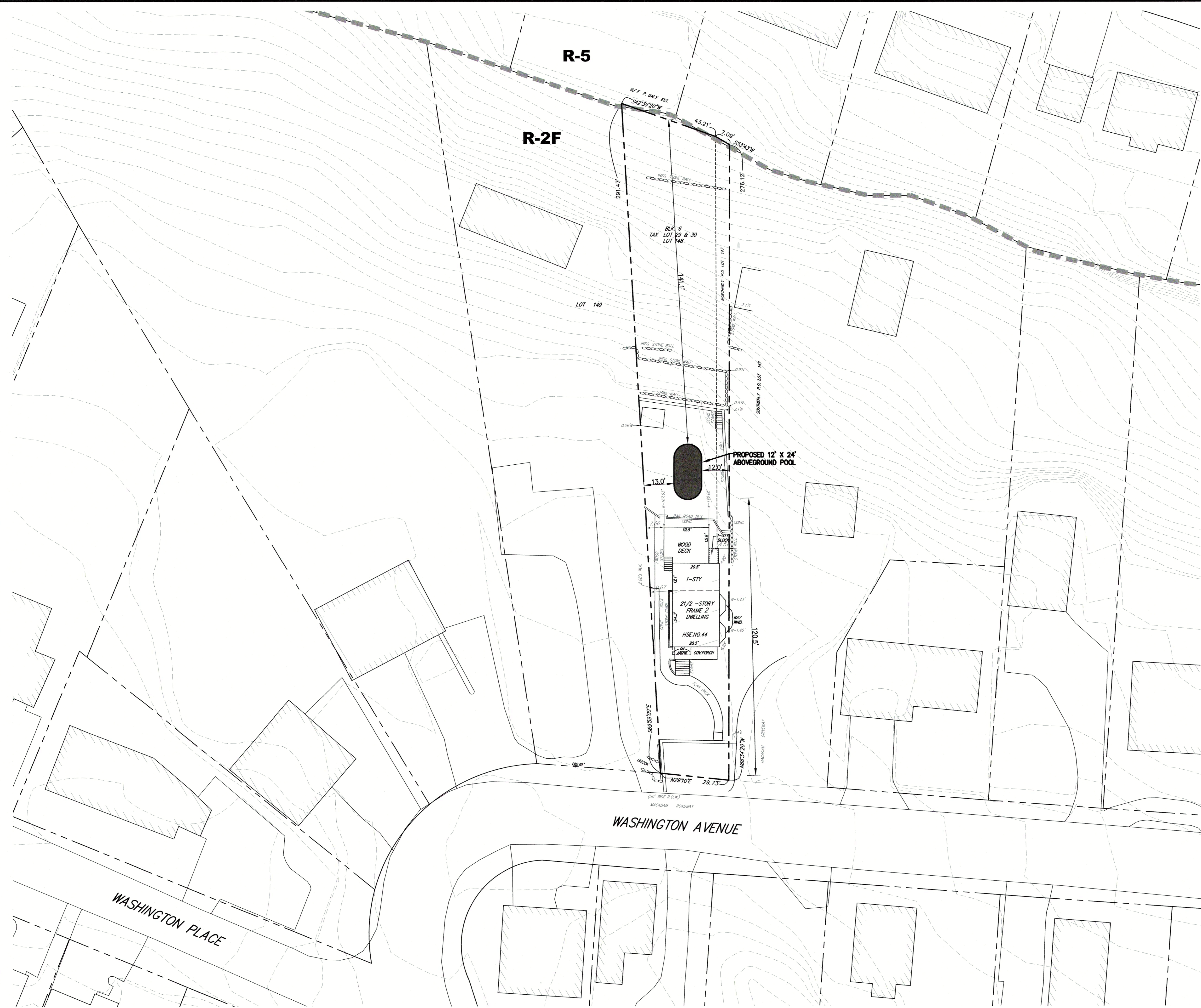
6/14/2021  
 Date



NOT FOR CONSTRUCTION



Copyright © 2021 by JMC. All rights reserved. No part of this publication may be reproduced, stored in a retrieval system, or transmitted, in any form or by any means, electronic, mechanical, photocopying, recording, or otherwise, without the prior written permission of JMC. JMC is a registered professional engineering and landscape architecture firm. JMC is not responsible for any errors or omissions in this document without the written permission of JMC. All other marks used are the property of their respective owners.

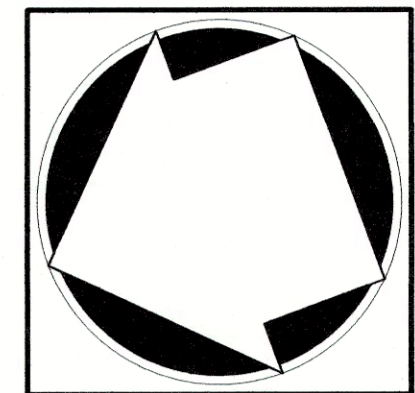
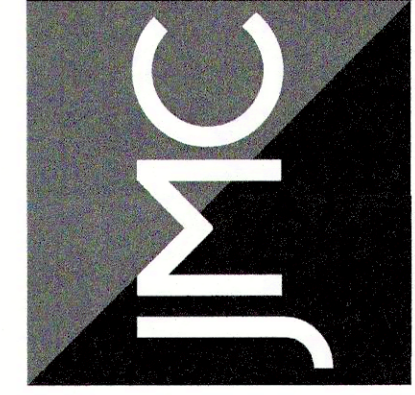


LEGEND	
	EXISTING PROPERTY LINE
	ADJACENT PROPERTY LINE
	EXISTING SETBACK LINE
	EXISTING ZONING LINE
	EXISTING EASEMENT LINE
	EXISTING BUILDING OVERHANG
	EXISTING BUILDING LINE
	EXISTING PAVEMENT EDGE
	EXISTING CURB LINE
	EXISTING GIS CONTOUR
	EXISTING GIS INDEX CONTOUR
	EXISTING STONE WALL
	EXISTING RETAINING WALL

- NOTES:**
- EXISTING CONDITIONS DEPICTED ON THIS PLAN HAVE BEEN TAKEN FROM SURVEY TITLED, "SURVEYED AS IN POSSESSION" PREPARED BY RONALD PERSAUD, LS LAND SURVEYOR, DATED APRIL 13, 2021.
  - EXISTING TOPOGRAPHY WAS TAKEN FROM WESTCHESTER COUNTY GIS.

APPLICANT/TOWNER:  
**RAY MALDONADO**  
 44 WASHINGTON AVENUE  
 TOWN OF NORTH CASTLE, NEW YORK

JMC Planning, Engineering, Landscape Architecture & Land Surveying, PLLC  
 JMC Site Development Consultants, LLC  
 John Meyer Consulting, Inc.  
 120 BEDFORD ROAD - ARMONK, NY 10504  
 voice 914.273.5225 - fax 914.273.2102  
 www.jmcplic.com



**SITE PLAN**  
**MALDONADO RESIDENCE**  
 44 WASHINGTON AVENUE  
 TOWN OF NORTH CASTLE, NEW YORK

ANY ALTERATION OF PLANS, SPECIFICATIONS, PLATS AND REPORTS BEARING THE SEAL OF A LICENSED PROFESSIONAL ENGINEER OR LICENSED LAND SURVEYOR IS A VIOLATION OF SECTION 7209 OF THE NEW YORK STATE EDUCATION LAW, EXCEPT AS PROVIDED FOR BY SECTION 7209, SUBSECTION 2.

No.	Revision	Date	By

Drawn: DK Approved: DK  
 Scale: 1" = 20'  
 Date: 06/14/2021  
 Project No: 21058  
 21058 EXIST: EXST EXST.scr  
 Drawing No: **S-1**

Previous Editions Obsolete

NOT FOR CONSTRUCTION



TOWN OF NORTH CASTLE  
WESTCHESTER COUNTY  
17 Bedford Road  
Armonk, New York 10504-1898

PLANNING DEPARTMENT  
Adam R. Kaufman, AICP  
Director of Planning

Telephone: (914) 273-3542  
Fax: (914) 273-3554  
[www.northcastleny.com](http://www.northcastleny.com)

**GROSS LAND COVERAGE CALCULATIONS WORKSHEET**

Application Name or Identifying Title: **44 Washington Avenue North, Town of North Castle** Date: **06/14/2021**

Tax Map Designation or Proposed Lot No.: **122.16-2-93**

**Gross Lot Coverage**

1. Total lot area (Net Lot Area for Lots Created after 12/13/06):	<b>10,785</b>
2. <b>Maximum</b> permitted gross land coverage (per Section 355-26.C(1)(b)):	<b>4,188.4</b>
3. <b>BONUS</b> maximum gross land cover (per Section 355-26.C(1)(b)):	
Distance principal home is beyond minimum front yard setback	
23.46 x 10 =	<b>234.6</b>
4. <b>TOTAL Maximum Permitted gross land coverage</b> = Sum of lines 2 and 3	<b>4,423</b>
5. Amount of lot area covered by <b>principal building</b> :	
809 existing + 0 proposed =	<b>809</b>
6. Amount of lot area covered by <b>accessory buildings</b> :	
80 existing + 0 proposed =	<b>80</b>
7. Amount of lot area covered by <b>decks</b> :	
315 existing + 0 proposed =	<b>315</b>
8. Amount of lot area covered by <b>porches</b> :	
144 existing + 0 proposed =	<b>144</b>
9. Amount of lot area covered by <b>driveway, parking areas and walkways</b> :	
1,088 existing + 0 proposed =	<b>1,088</b>
10. Amount of lot area covered by <b>terraces</b> :	
0 existing + 0 proposed =	<b>0</b>
11. Amount of lot area covered by <b>tennis court, pool and mechanical equip</b> :	
8 existing + 257 proposed =	<b>265</b>
12. Amount of lot area covered by <b>all other structures</b> :	
307 existing + 0 proposed =	<b>307</b>
13. Proposed <b>gross land coverage</b> : Total of Lines 5 - 12 =	<b>3,008</b>

If Line 13 is less than or equal to Line 4, your proposal **complies** with the Town's maximum gross land coverage regulations and the project may proceed to the Residential Project Review Committee for review. If Line 13 is greater than Line 4 your proposal does not comply with the Town's regulations.

Signature and Seal of Professional Preparing Worksheet \_\_\_\_\_ Date \_\_\_\_\_

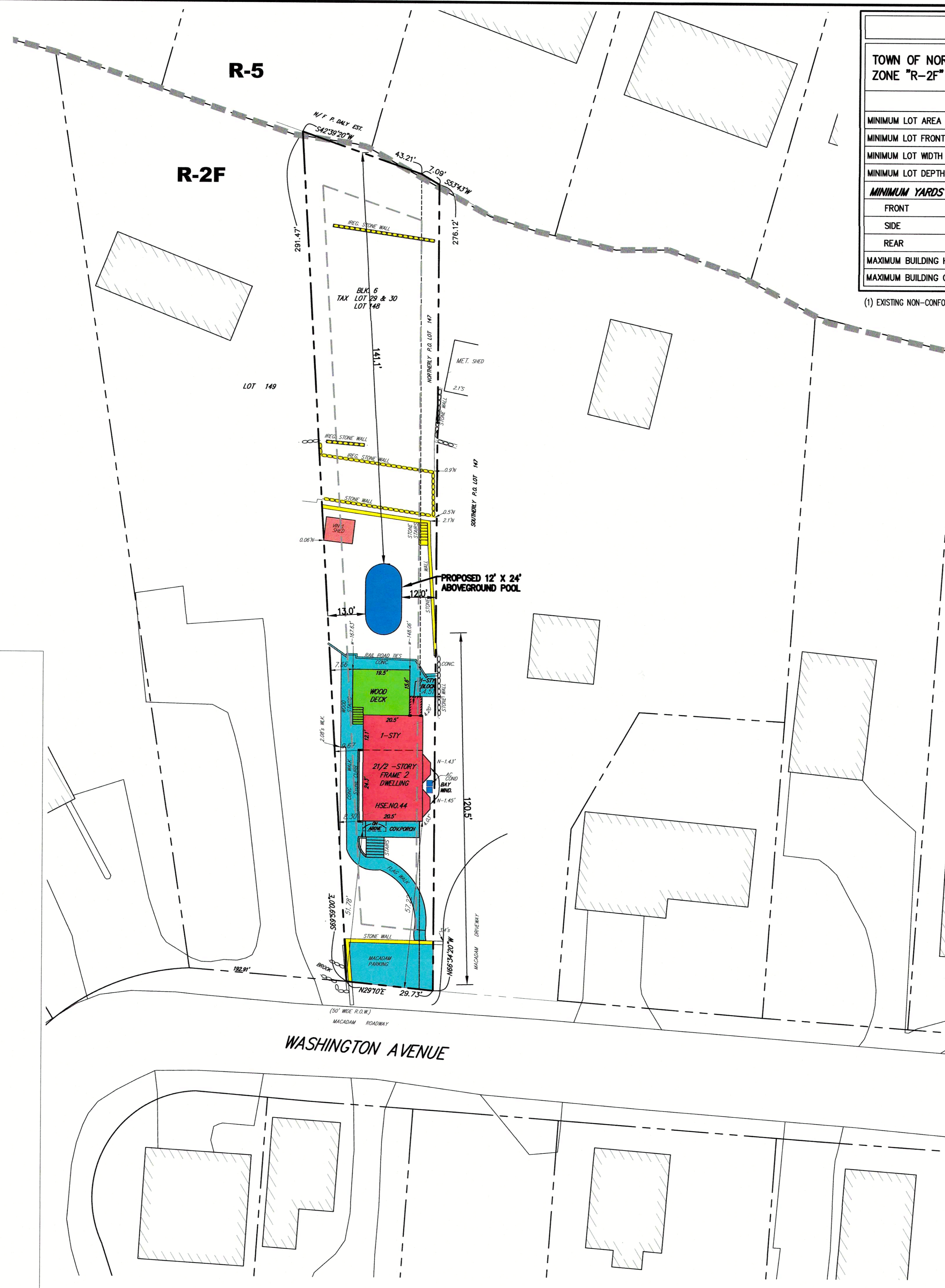


TABLE OF LAND USE				
TOWN OF NORTH CASTLE, N.Y. SECTION 108.02, BLOCK 1, LOT 10 ZONE "R-2F" - "TWO FAMILY RESIDENTIAL DISTRICT" (5,000 S.F.)				
DESCRIPTION	REQUIRED (ACRES / S.F.)	EXISTING	PROPOSED	
			POOL	
MINIMUM LOT AREA	(ACRES / S.F.)	5,000 S.F.	±0.25/±10,785	N/A
MINIMUM LOT FRONTAGE	(FEET)	50	±27.70 (1)	N/A
MINIMUM LOT WIDTH	(FEET)	50	±39.60 (1)	N/A
MINIMUM LOT DEPTH	(FEET)	100	±285.50	N/A
MINIMUM YARDS				
FRONT	(FEET)	20	±51.78	±120.5
SIDE	(FEET)	6	±4.03	±12
REAR	(FEET)	15	±166.5	±140
MAXIMUM BUILDING HEIGHT	(FEET)	30	<30	N/A
MAXIMUM BUILDING COVERAGE	(PERCENT)	30	12.50	±14.9

(1) EXISTING NON-CONFORMING

LEGEND	
	EXISTING PROPERTY LINE
	ADJACENT PROPERTY LINE
	EXISTING SETBACK LINE
	EXISTING ZONING LINE
	EXISTING EASEMENT LINE
	EXISTING BUILDING OVERHANG
	EXISTING BUILDING LINE
	EXISTING PAVEMENT EDGE
	EXISTING CURB LINE
	EXISTING GIS CONTOUR
	EXISTING GIS INDEX CONTOUR
	EXISTING STONE WALL
	EXISTING RETAINING WALL

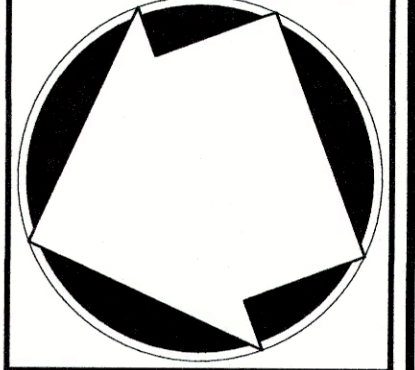
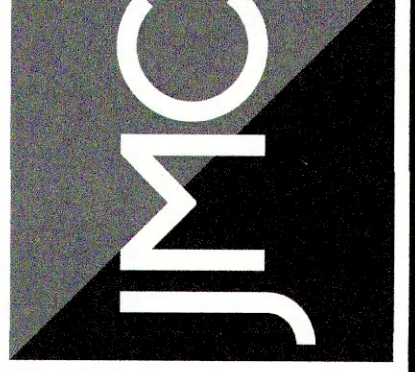
**NOTES:**

1. EXISTING CONDITIONS DEPICTED ON THIS PLAN HAVE BEEN TAKEN FROM SURVEY TITLED, "SURVEYED AS IN POSSESSION" PREPARED BY RONALD PERSAUD, LS LAND SURVEYOR, DATED APRIL 13, 2021.

LEGEND	
	PRINCIPAL BUILDING 809 S.F.
	ACCESSORY BUILDINGS 80 S.F.
	DECKS 315 S.F.
	PORCHES 144 S.F.
	DRIVEWAY, PARKING AREAS AND WALKWAYS 1,088 S.F.
	POOL & MECHANICAL EQUIPMENT 265 S.F.
	STRUCTURES, WALLS 307 S.F.

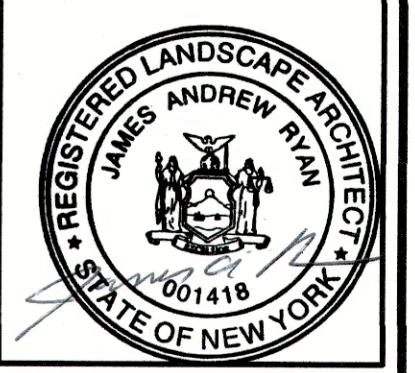
APPLICANT/OWNER  
**RAY MALDONADO**  
44 WASHINGTON AVENUE  
TOWN OF NORTH CASTLE, NEW YORK

JMC Planning, Engineering, Landscape Architecture & Land Surveying, PLLC  
JMC Site Development Consultants, LLC  
John Meyer Consulting, Inc.  
120 BEDFORD ROAD • ARMONK, NY 10504  
voice 914.273.5225 • fax 914.273.2102  
[www.jmcpllc.com](http://www.jmcpllc.com)



GROSS LAND COVERAGE PLAN  
MALDONADO RESIDENCE  
44 WASHINGTON AVENUE  
TOWN OF NORTH CASTLE, NEW YORK

ANY ALTERATION OF PLANS, SPECIFICATIONS, PLATS AND REPORTS BEARING THE SEAL OF A LICENSED PROFESSIONAL ENGINEER OR LICENSED LAND SURVEYOR IS A VIOLATION OF SECTION 7209 OF THE NEW YORK STATE EDUCATION LAW, EXCEPT AS PROVIDED FOR BY SECTION 7209, SUBSECTION 2.



No.	Revision	Date	By

Drawn: **DK** Approved: **DK**  
Scale: **1" = 20'**  
Date: **06/14/2021**  
Project No: **21058**  
**2058 EXIST** GLC EXIST.er  
Drawing No: **GLC-1**

Previous Editions Obsolete

KATHLEEN A. MALDONADO  
RAMON MALDONADO  
44 WASHINGTON AVE  
N. WHITE PLAINS, NY 10603

6/11 20 21


REMAISSANCE

PAY TO THE ORDER OF

Town of North Castle

\$ 1,200.00

One thousand two Hundred <sup>00</sup>/<sub>100</sub>

DOLLARS  Security Features  
Hologram  
Date on Back

CITIBANK, N.A.

FOR \_\_\_\_\_

*Kathleen A. Maldonado*

⑆021000089⑆ 53585794 3323

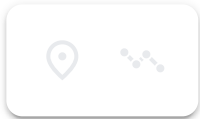




44 Washington Av... X  
White Plains, NY 10603  
41.06°N, 73.77°W



44 Washington Ave N



100%

20 m

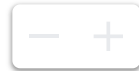
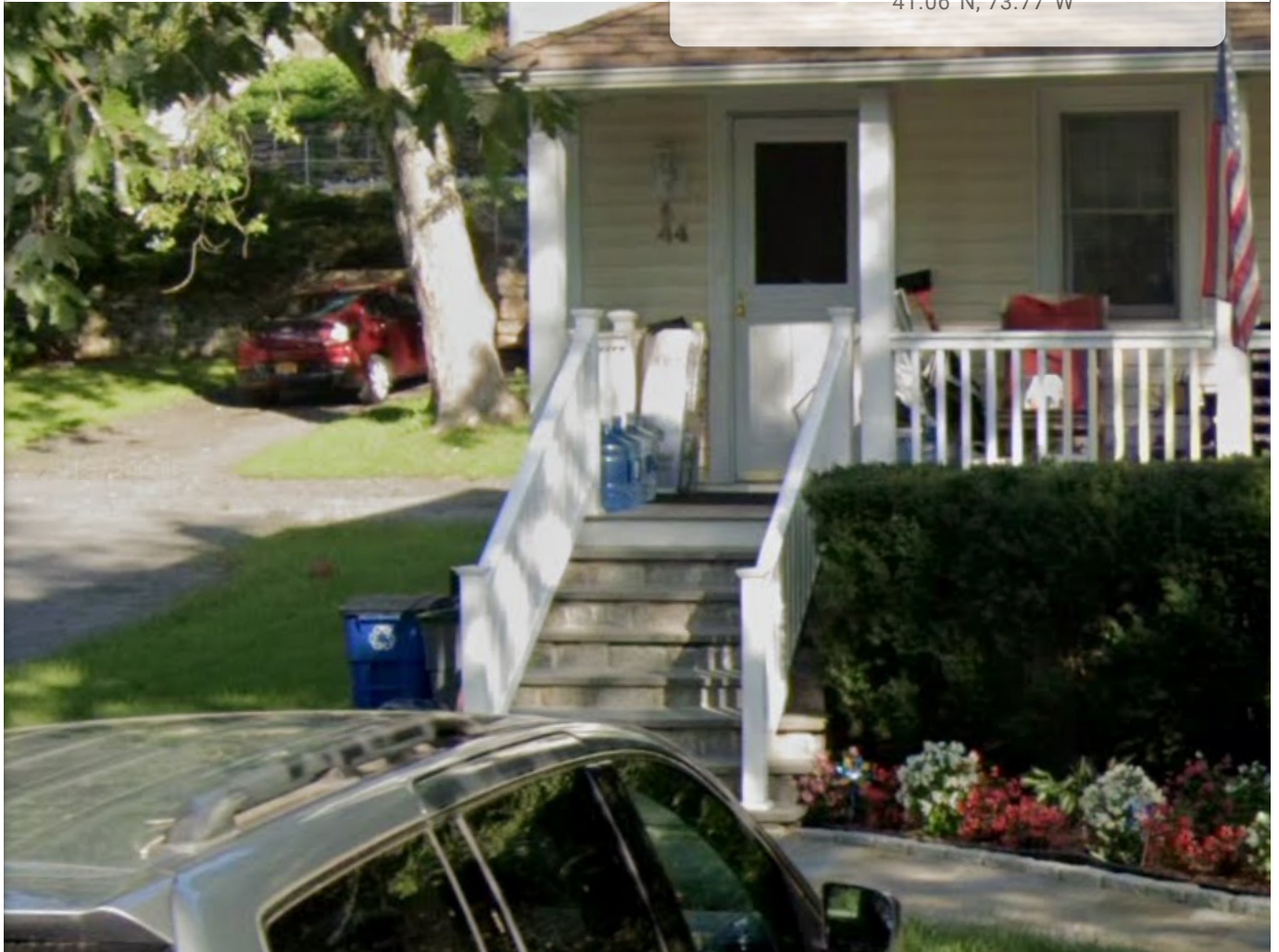
Camera: 199 m 41°03'35"N 73°46'09"W



- ☰
- 🔍
- ⚙️
- 📄
- 📍
- 📏

← 45 Washington Ave N White Plains, New York

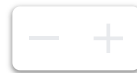
**44 Washington Av...** ✕  
 White Plains, NY 10603  
 41.06°N, 73.77°W



- ☰
- 🔍
- ⚙️
- 📷
- 📍
- 📏

← 43 Washington Ave N White Plains, New York

**44 Washington Av...** ✕  
 White Plains, NY 10603  
 41.06°N, 73.77°W







Sat Mar 20 2021  
Imagery © 2021 Nearmap, HERE

50 ft

nearmap



© Copyright The Pool Factory 2018



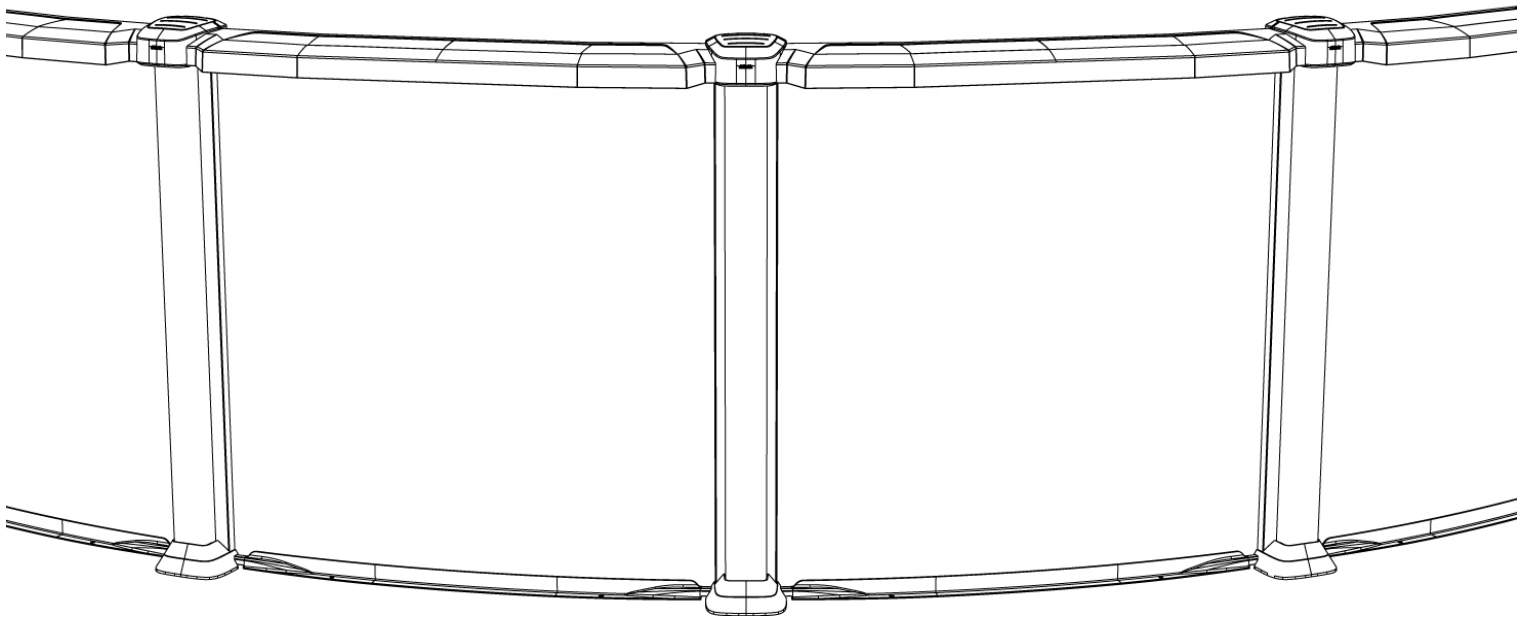


# SALTWATER SERIES

**SALTWATER 8000**

**INSTALLATION MANUAL**

**YARDMORE OVAL POOLS**





# ABOVE GROUND POOL SAFETY

## PLEASE READ BEFORE INSTALLATION



### WARNING

FAILURE TO HEED THESE WARNINGS CAN RESULT IN PERMANENT INJURY, PARALYSIS FROM A BROKEN NECK, ELECTROCUTION OR DROWNING. THIS POOL IS NOT DESIGNED FOR DIVING OR JUMPING! DANGEROUS INJURY CAN RESULT, SHALLOW WATER!

Carefully read, understand and follow all information in this user manual before installing and using the swimming pool. These warnings, instructions and safety guidelines address some common risks of water recreation, but they cannot cover all risks and dangers in all cases. Always use caution, common sense and good judgement when enjoying any water activity. **RETAIN THIS INFORMATION FOR FUTURE USE.**

Your pool contains a large quantity of water, and is deep enough to present inherent dangers to life and health unless the following safety rules are strictly observed. First-time users run the highest risk of injury. Make sure everyone understands and encourage all users especially children to learn how to swim. Learn Basic Life Support (Cardiopulmonary Resuscitation-CPR) and refresh this knowledge regularly. Instruct all pool users, including children, what to do in case of an emergency. Keep a working phone and a list of emergency phone numbers near the pool. This can make a life-saving difference in the event of an emergency. To insure your pool is used safely you **MUST** observe the following safety precautions:

#### 1. NO JUMPING OR DIVING

The top rail of your pool is not a walkway and must not be used for jumping or diving. Do not permit jumping or diving into the pool from a deck or the top rail of the pool. Diving or jumping into the pool can result in serious injury.

#### 2. NEVER USE THE POOL ALONE

Never permit the pool to be used unless it is attended by at least one person other than the bather. Someone should always be available to lend assistance in an emergency. Designate a competent adult to supervise the pool each time it is being used. Vigilant supervision of weak swimmers and non-swimmers by a competent adult is required at all times, remembering that children under five are at the highest risk of drowning.

#### 3. NEVER LEAVE CHILDREN UNATTENDED

Never leave a child alone and unsupervised in or near the pool—not even for a second. There is no substitute for constant adult supervision.

#### 4. NO ROUGH PLAY

Do not permit "rough-playin" in and around your pool. Surfaces can become slippery and hazardous when wet.

#### 5. LIGHT THE POOL AT NIGHT

If the pool is used after dusk, adequate lighting must be provided. Illumination in the pool area must be sufficient to clearly judge pool depth and all features in and around the pool. For lighting recommendations, consult your local licensed electrical contractor

#### 6. RESTRICT ACCESS TO THE POOL

Do not leave chairs or other furniture beside the pool that could be used by a child to climb up into the pool. Ladders must be removed whenever the pool is unattended. A fence with a lockable gate around the pool or yard is strongly recommended and may be required by law in some jurisdictions. Secure doors and windows, where applicable to prevent unauthorized access to the swimming pool. Remove all toys from the swimming pool and surrounding area when not in use to avoid attracting children to the pool. Barriers, pool covers, pool alarms or similar safety devices are helpful aids, but they are not substitutes for continuous adult supervision.

#### 7. NO ALCOHOL OR DRUGS

Never drink alcoholic beverages, use any intoxicants or medication which could hinder your judgment and reflexes.

#### 8. KEEP YOUR POOL CLEAN AND SANITARY

Your filter system will remove suspended particles from the water and the surface skimmer will remove insects, leaves and other debris from the water surface. Use the correct pool chemicals as directed to destroy harmful bacteria and prevent formation of algae. Remember, unsanitary water is a serious health hazard.

#### 9. KEEP OFF TOP LEDGES

Do not walk on top ledges. They can be slippery and they are not a walkway.

#### 10. POOL COVER SAFETY

The cover must have a tamperproof locking retainer cable that positions the cover around the pool wall and keeps it securely in place. Never allow anyone, especially small children on the cover. Asphyxiation or drowning could result. Be sure to remove pool cover completely from the water surface before entering the pool. When purchasing any pool cover, please consult a swimming pool professional.

#### 11. ELECTRICAL HAZARD

Never touch or attempt to service electrical equipment, including the filter when your body and/or the ground is wet. Electrocution or permanent injury due to high voltage (120V AC) could result. The pool should be bonded in accordance with Section 680-26 of the National Electrical Code. For further assistance contact your dealer or a local licensed electrician. Do not use pool during electrical or rain storms.

#### 12. SAFETY EQUIPMENT

Keep a safety rope 1/4" by 50" with a flotation buoy with an outside diameter of 15". Have accessible in a prominent area by your pool. Keep a pole not less than 16 feet (4.88m) long with a blunt or hook end available at pool side in case of emergencies. Weak swimmers and non-swimmers should wear personal protection equipment when using the pool.

#### 13. POOL CHEMICALS

Store pool chemicals out of the reach of children. Do not place chlorine, chlorine tablets or sticks directly into skimmer, or winterize your pool with liquid chlorine. Damage to the skimmer, pool liner and filter will result. Failure to obey this instruction will void all component warranties. Always follow Chemical Manufacturer's instructions when storing, handling and dispensing pool chemicals.

#### 14. CHECK FOR DAMAGE

Periodically check your pool and ladder components for damage and wear. Be sure all screws are in place. Replace all damaged or worn components and tighten all screws before you use the pool, deck or ladders. At first sign remove rust and touch up immediately.

#### 15. POOL PARTS

Never modify the pool or accessories, or remove or drill holes in the pool, deck or ladder components unless instructed. Your pool wall is made of thin metal, there is an inherent cut hazard with metal so use gloves during installation. Always use Original Equipment Manufactured parts for your replacement parts.

#### FOLLOW ALL SAFETY INSTRUCTIONS

Read and follow all safety instructions packaged with pool, ladder, deck or any other accessory. Additional pool safety publications can be obtained by contacting: The Association of Pool & Spa Professionals ([www.apsp.org](http://www.apsp.org))



### IMPORTANT NOTICE READ BEFORE INSTALLATION!

The safety stickers must be installed as per following instructions. Failure to properly install warning labels will void warranty. Failure to mount these safety labels may subject you to substantial liability in case of injury. These warnings are not to be removed under any circumstances! If they become discolored or fall off please request replacements which will be sent at no charge.

#### PLACE SIGN ON LINER ABOVE WATER LINE, OPPOSITE ENTRY TO POOL



PLACE SIGN ON WALL NEXT TO POOL ENTRY



REMEMBER WATCH CHILDREN



# IMPORTANT INFORMATION ABOUT YOUR LINER

**We do not make or supply liners for our pools.**

**Please contact your liner's manufacturer with questions or if instructions are not included with the liner.**

**Liner must be installed per the liner manufacturer's instructions.**

**Incorrect liner installation may void the warranty.**

Section  
1

GENERAL INSTRUCTIONS - YARDMORE OVAL POOLS  
GROUND PREPARATION

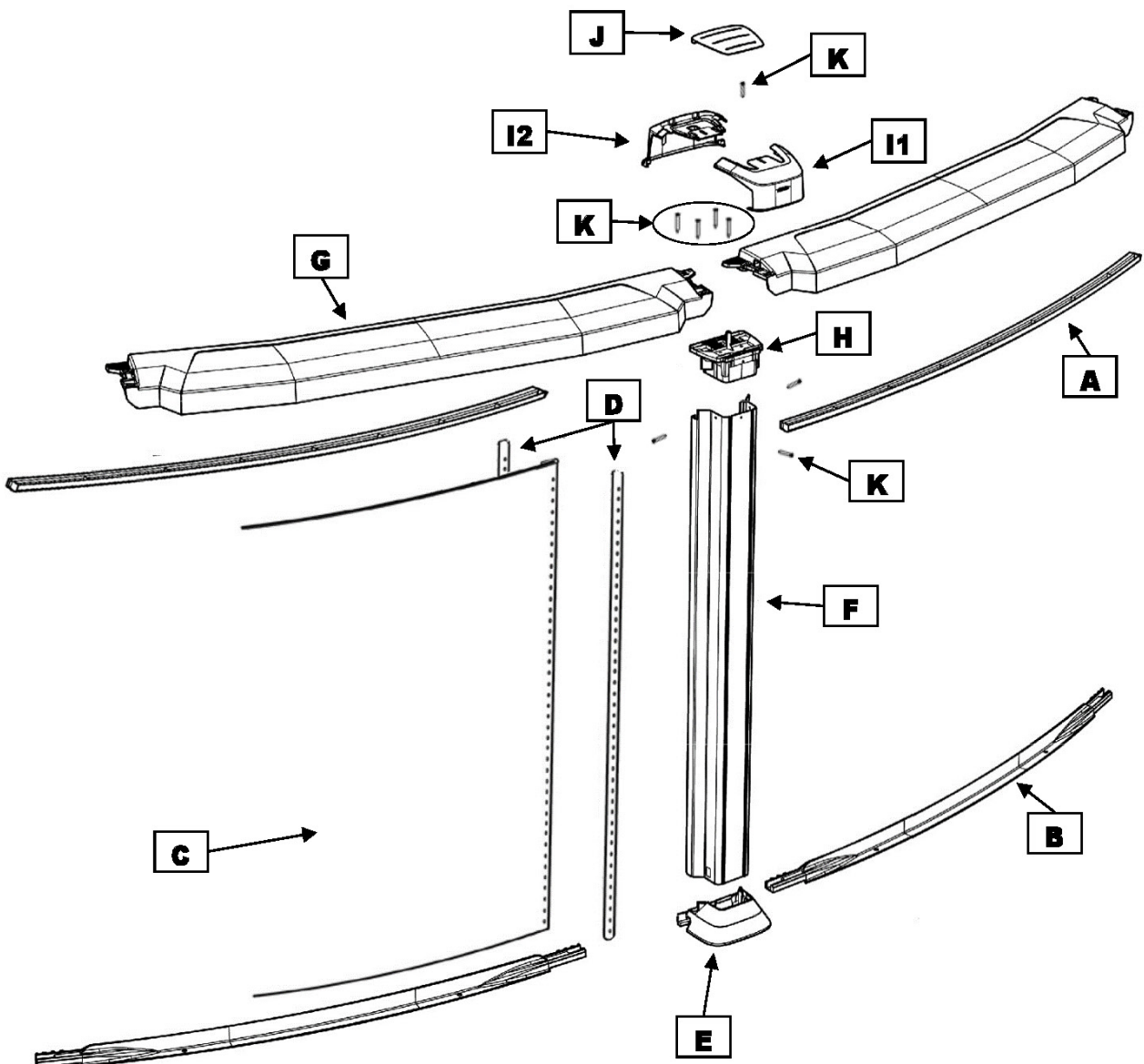
PARTS LISTING - EXPLODED VIEW

Saltwater 8000  
PLIB-54RSRRRRQ11  
Round



Important Note:

Make sure you have all the parts necessary before you start installation.

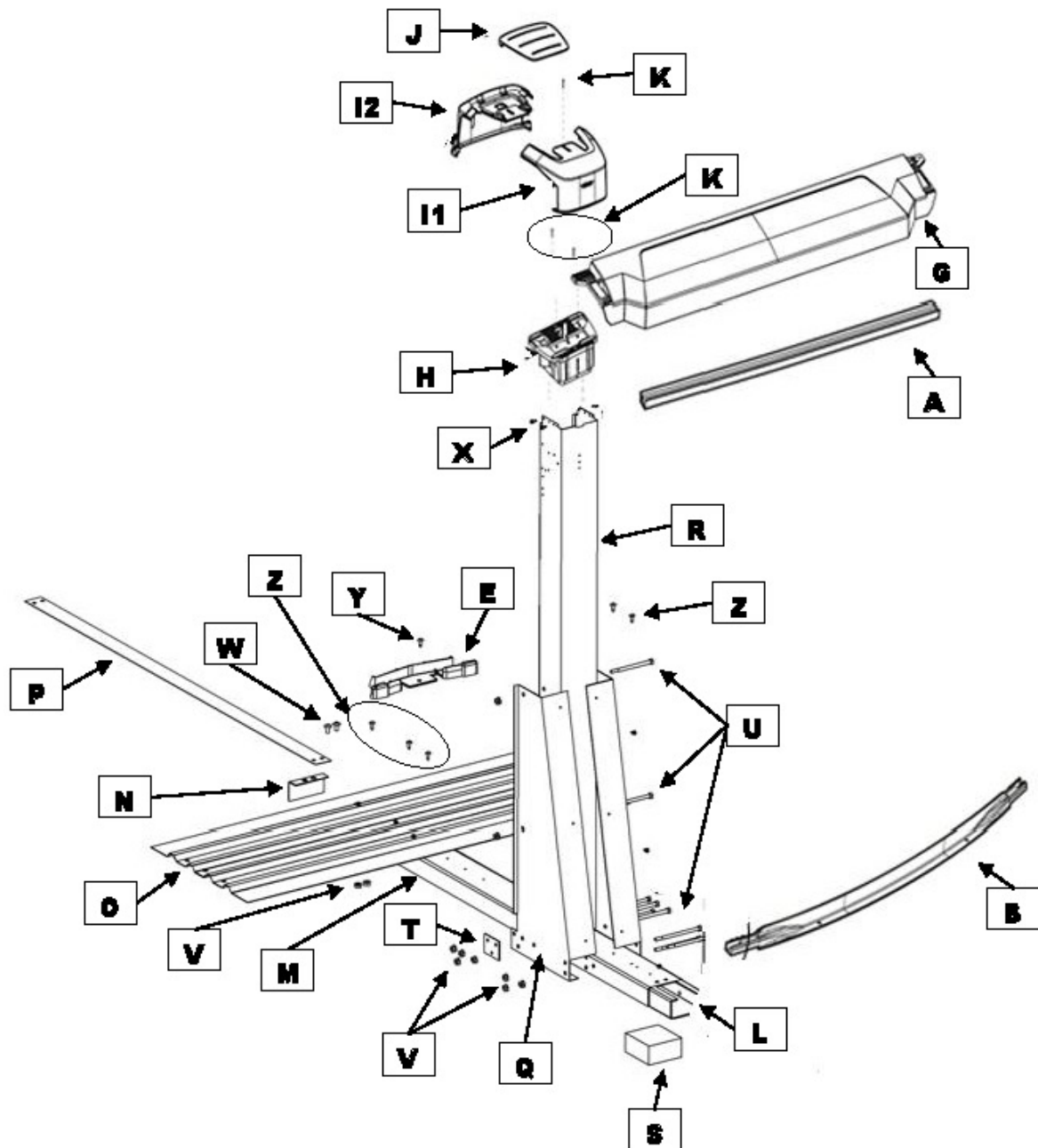


Section  
1

GENERAL INSTRUCTIONS - YARDMORE OVAL POOLS  
GROUND PREPARATION

PARTS LISTING - EXPLODED VIEW

Saltwater 8000  
PLIB-YM54RSRRRRQ11  
Yardmore  
Straight Section



**Section  
1**

**GENERAL INSTRUCTIONS - YARDMORE OVAL POOLS  
GROUND PREPARATION**

**PARTS LISTING - CONTENTS**

<b>Product Description:</b>		<b>Saltwater 8000 Oval</b>		<small>Revised Sept 2018</small>			
<b>Product Code:</b>		<b>PLIB-YM54RSRRRRQ11</b>					
<b>Index#</b>	<b>Description</b>	<b>Part #</b>	<b>Quantity required for installation (by pool size)</b>				
			<b>1216</b>	<b>1218</b>	<b>1220</b>	<b>1224</b>	<b>1526</b>
A	Stabilizer (Round section)	1071507160000	4	6	6	6	8
A	Stabilizer (Straight section)	10707000042	2	6	2	4	4
A	Stabilizer-transition (End of straight section)	1071507160010	4		4	4	4
B	Bottom rail (Section round)	1081507000000	4	6	6	6	8
B	Bottom rail (Straight section)	10807000042	2	6	2	4	4
B	Bottom rail-transition (End of straight section right)	1081507000020	2		2	2	2
B	Bottom rail-transition (End of straight section left)	1081507000030	2		2	2	2
C	Steel wall		1	1	1	1	1
D	Steel bar	11825	2	2	2	2	2
E	Bottom plate	11202350000	6	8	8	8	10
E	Bottom plate(straight section)	10402000000	4	4	4	6	6
F	Upright	10202350004	6	8	8	8	10
G	Top ledge	10102350000	8	6	10	10	12
G	Top ledge (straight section)	10102350042	2	6	2	4	4
H	Top plate	11102350000	10	12	12	14	16
I1	Ledge cover (front part)	10302350000	10	12	12	14	16
I2	Ledge cover (back part)	10302350010	10	12	12	14	16
J	Ledge cover plate	10302350030	10	12	12	14	16
K	Pan Phill SS #12,1 TYPE A	2PPS121	60	70	70	80	90
L	Under channel	15933	4	4	4	6	6
M	Steel strap end channel	16539	4	4	4	6	6
N	Oval channel end cap	22726	4	4	4	6	6
O	Steel pressure plate	16549	4	4	4	6	6
P	Strap 12'	16724	4	4	4	6	
P	Strap 15'	16725					9
Q	Right gusset	33091	4	4	4	6	6
Q	Left gusset	33090	4	4	4	6	6
R	Straight side steel upright	10004	4	4	4	6	6
S	Foam block	29917	4	4	4	6	6
T	Washer 3 holes	16663	8	8	8	12	12
U	Bolt 5" x 5/16 - 18	99-0073	40	40	40	60	60
V	Nut 5/16 - 18	99-0027	52	52	52	84	84
W	Screw 1/2" x 5/16 - 18	99-0026	12	12	12	24	24
X	Screw 1/2" #10	99-0068	34	34	34	46	46
Y	Screw #10x1" 18-8SS	99-0070	5	5	5	10	10
Z	Stainless steel screw 12 x 3/4"	V12x34	60	60	60	80	80
*	Hardware bag	1051216350	1				
*	Hardware bag	1051220350		1	1		
*	Hardware bag	1051224350				1	
*	Hardware bag	1051526350					1
**	Hardware bag for wall	1050000054	1	1	1	1	1
***	Hardware bag	16720	1	1	1	1	1
***	Hardware bag	16722				1	1
****	Hardware bag	10522122	1	1	1		

**Section  
1**

**GENERAL INSTRUCTIONS - YARDMORE OVAL POOLS  
GROUND PREPARATION**

**PARTS LISTING - CONTENTS**

<b>Product Description:</b>		<b>Saltwater 8000 Oval</b>			Revised Sept 2018		
<b>Product Code:</b>		<b>PLIB-YM54RSRRRRQ11</b>					
		Quantity required for installation (by pool size )					
<b>Index#</b>	<b>Description</b>	<b>Part #</b>	<b>1216</b>	<b>1218</b>	<b>1220</b>	<b>1224</b>	<b>1526</b>
****	Hardware bag	10522124				1	1
	Thru phil 18-8 bolts 18-8 1/4-0x3/4	99-0023	31	31	31	31	31
	Flange nuts S/S 1/4-20 Serrated	2FGS422	31	31	31	31	31
	Installation DVD	SACWBI36875	1	1	1	1	1

\* In the hardware bag you will find parts: #V12x34 - #2PPS121

\*\* In the hardware bag for wall you will find parts: #99-0023 - #2FGS422

\*\*\* In the hardware bag you will find parts: #99-0073 - #99-0027 - #16663

\*\*\*\* In the hardware bag you will find parts: #99-0073 - #99-0070 - #99-0068 - #99-0027 - #99-0026 - #V12x34

**Section  
1**

**GENERAL INSTRUCTIONS - YARDMORE OVAL POOLS  
GROUND PREPARATION**

**PARTS LISTING - CONTENTS**

<b>Product Description:</b>		<b>Saltwater 8000 Oval</b>		<small>Revised Sept 2018</small>			
<b>Product Code:</b>		<b>PLIB-YM54RSRRRRQ11</b>					
<b>Index#</b>	<b>Description</b>	<b>Part #</b>	<b>Quantity required for installation (by pool size)</b>				
			<b>1530</b>	<b>1833</b>	<b>1840</b>	<b>1844</b>	<b>2143</b>
A	Stabilizer (Round section)	1071507160000	8	10	10	10	
A	Stabilizer (Round section)	1072407160000					10
A	Stabilizer (Straight section)	10707000042	6	6	10	12	12
A	Stabilizer-transition (End of straight section)	1071507160010	4	4	4	4	
A	Stabilizer-transition (End of straight section)	1072407160010					4
B	Bottom rail (Section round)	1081507000000	8	10	10	10	
B	Bottom rail (Section round)	1082407000000					10
B	Bottom rail (Straight section)	10807000042	6	6	10	12	12
B	Bottom rail-transition (End of straight section right)	1081507000020	2	2	2	2	2
B	Bottom rail-transition (End of straight section left)	1081507000030	2	2	2	2	2
C	Steel wall		1	1	1	1	1
D	Steel bar	11825	2	2	2	2	2
E	Bottom plate	11202350000	10	12	12	12	12
E	Bottom plate(straight section)	10402000000	8	8	12	14	14
F	Upright	10202350004	10	12	12	14	12
G	Top ledge	10102350000	12	14	14	14	14
G	Top ledge (straight section)	10102350042	6	6	10	12	12
H	Top plate	11102350000	18	20	24	26	26
I1	Ledge cover (front part)	10302350000	18	20	24	26	26
I2	Ledge cover (back part)	10302350010	18	20	24	26	26
J	Ledge cover plate	10302350030	18	20	24	26	26
K	Pan Phill SS #12,1 TYPE A	2PPS121	100	110	130	140	150
L	Under channel	15933	8	8	12	14	14
M	Steel strap end channel	16539	8	8	12	14	14
N	Oval channel end cap	22726	8	8	12	14	14
O	Steel pressure plate	16549	8	8	12	14	14
P	Strap 15'	16725	12				
P	Strap 18'	16726		12	18	21	
P	Strap 21'	22126					28
Q	Right gusset	33091	8	8	12	14	14
Q	Left gusset	33090	8	8	12	14	14
R	Straight side steel upright	10004	8	8	12	12	14
S	Foam block	29917	8	8	12	12	14
T	Washer 3 holes	16663	16	16	24	28	28
U	Bolt 5" x 5/16 - 18	99-0073	80	80	120	140	140
V	Nut 5/16 - 18	99-0027	112	112	168	196	210
W	Screw 1/2" x 5/16 - 18	99-0026	32	32	48	56	70
X	Screw 1/2" #10	99-0068	58	58	82	94	94
Y	Screw #10x1" 18-8SS	99-0070	10	10	12	14	14
Z	Stainless steel screw 12 x 3/4"	V12x34	105	105	136	150	158
*	Hardware bag	1051530350	1				
*	Hardware bag	1051833350		1			
*	Hardware bag	1051840350			1		

**Section  
1**

**GENERAL INSTRUCTIONS - YARDMORE OVAL POOLS  
GROUND PREPARATION**

**PARTS LISTING - CONTENTS**

<b>Product Description:</b>			<b>Saltwater 8000 Oval</b>					Revised Sept 2018
<b>Product Code:</b>			<b>PLIB-YM54RSRRRRQ11</b>					
			Quantity required for installation (by pool size)					
<b>Index#</b>	<b>Description</b>	<b>Part #</b>	<b>1530</b>	<b>1833</b>	<b>1840</b>	<b>1844</b>	<b>2143</b>	
*	Hardware bag	1051844350				1		
*	Hardware bag	1052143350					1	
**	Hardware bag for wall	1050000054	1	1	1	1	1	
***	Hardware bag	16720	2	2	3	3	3	
***	Hardware bag	16722				1	1	
****	Hardware bag	10522123	1	1				
****	Hardware bag	10522125			1			
****	Hardware bag	10522126				1		
****	Hardware bag	10522127					1	
	Thru phil 18-8 bolts 18-8 1/4-0x3/4	99-0023	31	31	31	31	31	
	Flange nuts S/S 1/4-20 Serrated	2FGS422	31	31	31	31	31	
	Installation DVD	SACWBI36875	1	1	1	1	1	

\* In the hardware bag you will find parts: #V12x34 - #2PPS121

\*\* In the hardware bag for wall you will find parts: #99-0023 - #2FGS422

\*\*\* In the hardware bag you will find parts: #99-0073 - #99-0027 - #16663

\*\*\*\* In the hardware bag you will find parts: #99-0073 - #99-0070 - #99-0068 - #99-0027 - #99-0026 - #V12x34



## Section 1

# GENERAL INSTRUCTIONS - YARDMORE OVAL POOLS GROUND PREPARATION

### READ ALL INSTRUCTIONS CAREFULLY

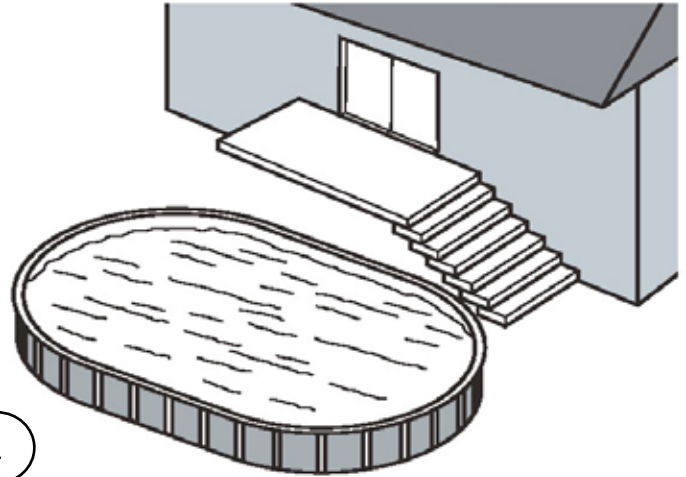
The approximate time it takes for installation, excluding earthworks and filling is about 1 day.  
You will need at least 3 people to help with installation.

#### A. DETERMINE THE LOCATION OF YOUR POOL

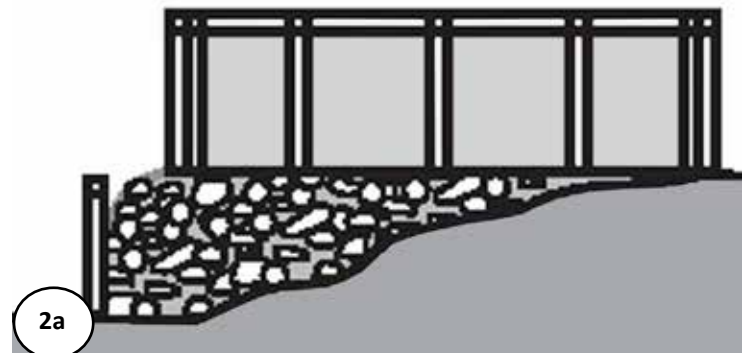
##### 1. The Terrain

Pay special attention to choosing the right location for your pool:

- Choose a large area, as flat and level as possible and well drained. *(Image 1)*
- Choose a spot on dry, firm earth (stabilizer or other)—do not install the pool on asphalt, tar or oil based surfaces, gravel, peat moss, wood or chemically treated soil.
- Check with your pool dealer to see if Nut Grass grows in your area. This type of grass may grow up through your pool liner. Your dealer will be able to advise how best to treat the site.
- Sloped areas will need to be made level by digging away high spots, not by filling low spots—be prepared to hire earth-moving equipment if necessary. *(Images 2a & 2b)*
- Ensure the earth is well compacted and a wall is placed to prevent the earth from seeping out. *(Image 2a)*
- If you need to install partly in the ground, you must contact your dealer to see if this is an option for you and that you meet law requirements in your jurisdiction. *(Image 2c)*



1



2a



2b



2c



#### Important Note:

Ground preparation is one of the most important steps in the installation process. A proper foundation will ensure the rest of the pool assembly goes smoothly and that no problems will occur when the pool is filled with water.

## Section 1

# GENERAL INSTRUCTIONS - YARDMORE OVAL POOLS GROUND PREPARATION

## A. CONT. DETERMINE THE LOCATION OF YOUR POOL

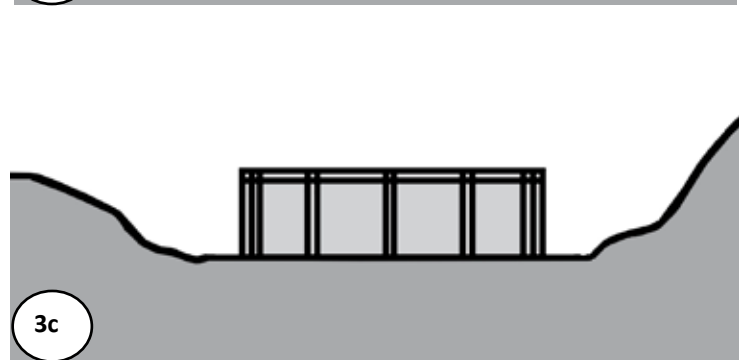
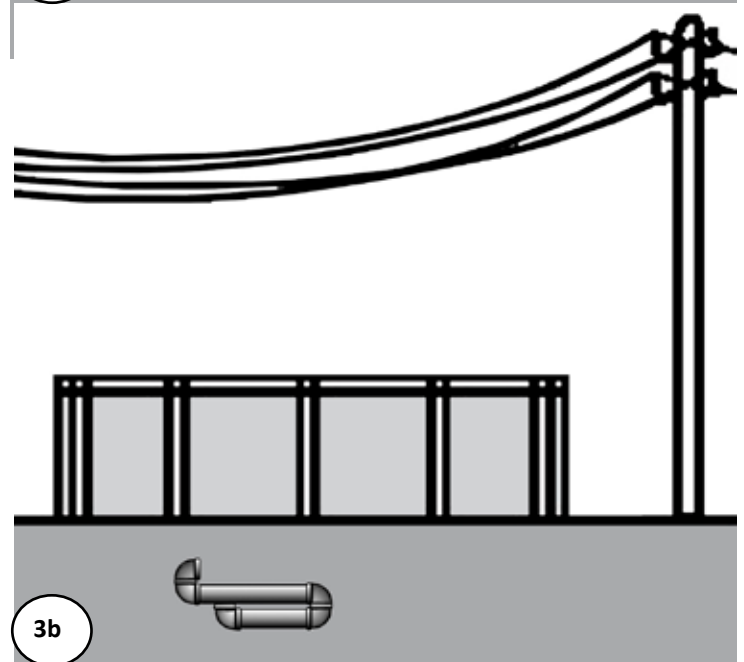
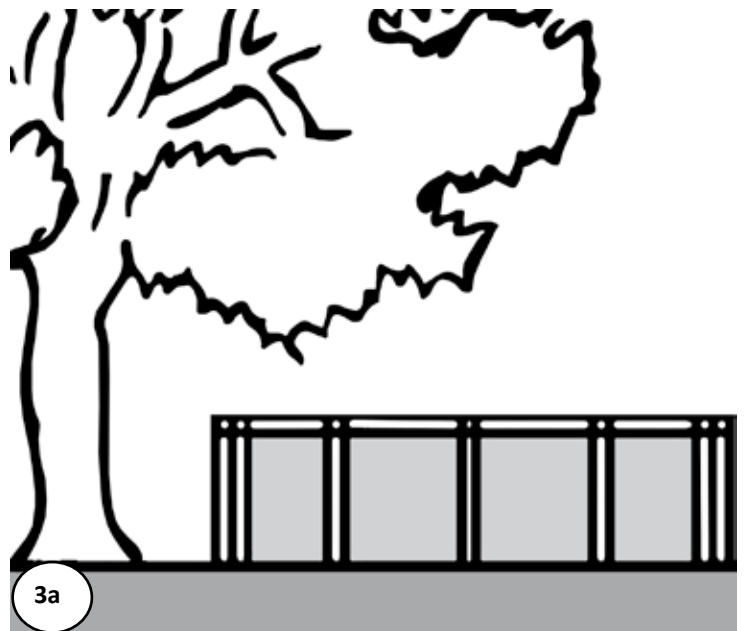
### 2. Things to avoid

Do not locate your pool near or on any of the following (*Images 3a to 3c*):

- Overhanging tree branches.
- Overhead wires and clotheslines.
- Buried pipes and wires. Contact your gas, electric and telephone utilities to find buried pipes and wires before you dig.
- Areas with poor drainage.
- Grass, stones and roots. Grass will rot underneath the pool liner, and stones and roots will damage the pool liner.
- Areas recently treated with oil-based weed killers, chemicals or fertilizers.

### 3. Plan ahead

- Will you be adding an adjacent deck later? Be sure to leave room.
- Will you be using pool accessories or other appliances that need electricity or gas? Locate your pool near these services or plan to have them installed later by a licensed contractor.



#### Important Note:

When locating the centre of the pool, be sure to take into consideration any structures (deck, patio, house) or relevant items (change rooms, gazebo, etc.) that the pool may need to line up with and ensure that the pool is in the most visual pleasing location for your property.

# Section 1

## GENERAL INSTRUCTIONS - YARDMORE OVAL POOLS GROUND PREPARATION

### A. CONT. DETERMINE THE LOCATION OF YOUR POOL

#### 4. Tools Needed



Compactor



Hammer



Water hose



Level



File



Vacuum cleaner



Pliers



Rake



Lawn roller



Metal snips



Screwdriver



Wheelbarrow



Shovel



Spray paint



Mallet



Measuring tape



Duct tape



Trowel



Wrench

#### List of required materials

- Straight wood plank
- Material that provides a permanent base (ex. Crushed stone)
- Fine sand (void of debris)
- Cement blocks (5cm x 20cm x 40cm / 2"x 8"x16") (Recommended)
- 2x Plywood (60cm x 120cm / 2ft x 4ft)
- Wood board (30cm x 20cm / 1ft x 1ft)
- Vinyl covered hooks (to hold wall steady)
- String and stakes & wooden pegs
- Prefabricated cove sections (optional)
- Liner floor pad
- Rope
- Polyethylene Plastic Sheeting



Optical Level  
Can be useful for precise measurements

# Section 1

## GENERAL INSTRUCTIONS - YARDMORE OVAL POOLS GROUND PREPARATION

### B. PREPARE THE FOUNDATION OF YOUR POOL

#### 1. Mark out the area

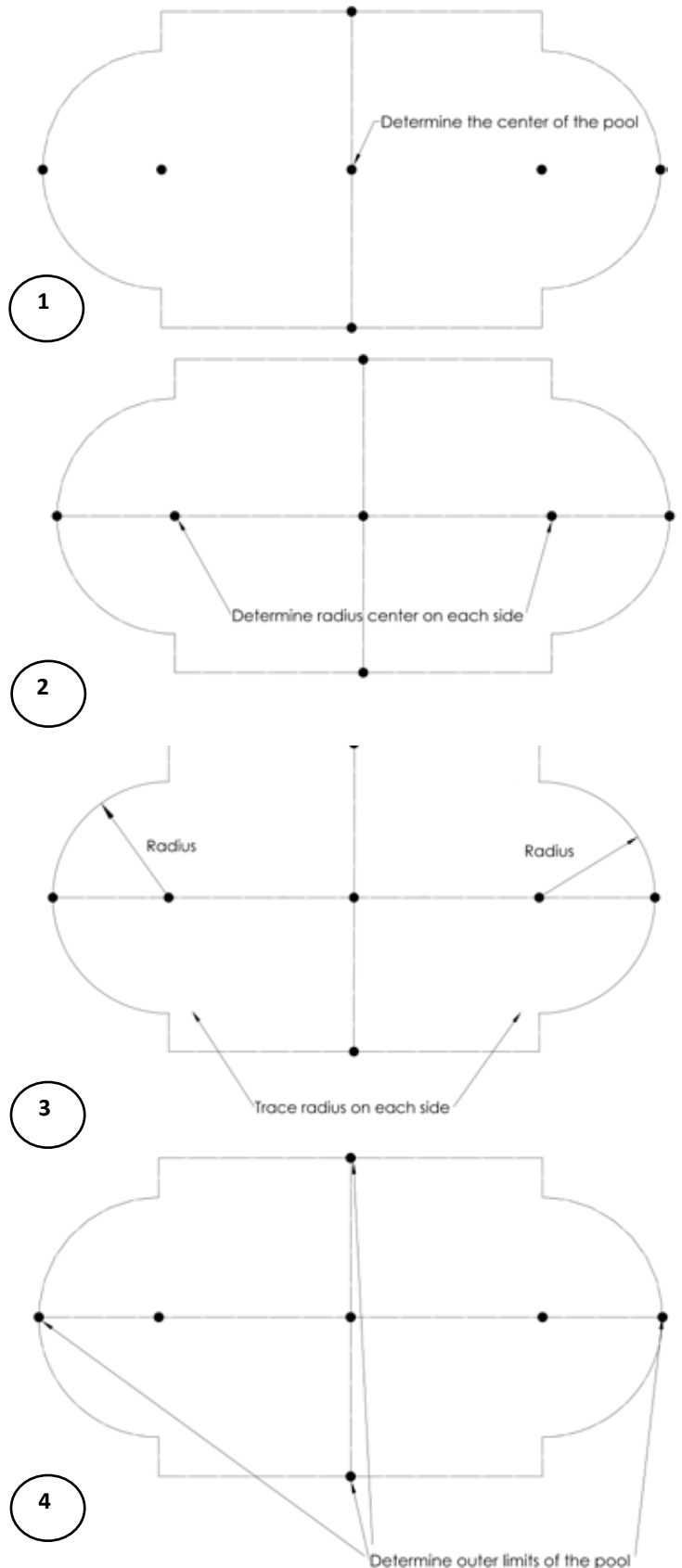
- a. The next following steps will show you how to mark out the area you need for the oval pool. This marked area will be larger than the pool size itself, but this space is needed. Find a site where the ground is stable, level and well drained. Once you have selected your site, determine where the middle of your pool will be.

#### See Diagrams:

Please see in the next page for an **EXAMPLE** on how to correctly mark your pool area.

Please verify your pool's **FOOTPRINT** for correct measurements on the last pages of this Section 1.

- b. Drive a peg into the ground at the centre point.  
*(Image 1)*
- c. Now you must make the round ends that will be the oval part. In order to do so, you will have to determine the center of the radius on each side and drive a peg into the ground.  
*(Image 2)*
- d. Using a length of string tied between the peg and a can of spray paint mark the circles on the ground.  
*(Image 3)*
- e. Once the center has been established, and the measurement of the pool itself has been determined, you must now determine the outer limits of the perimeter of your pool. Add 12" (30cm) outside this measurement to determine pool perimeter.  
*(Image 4)*

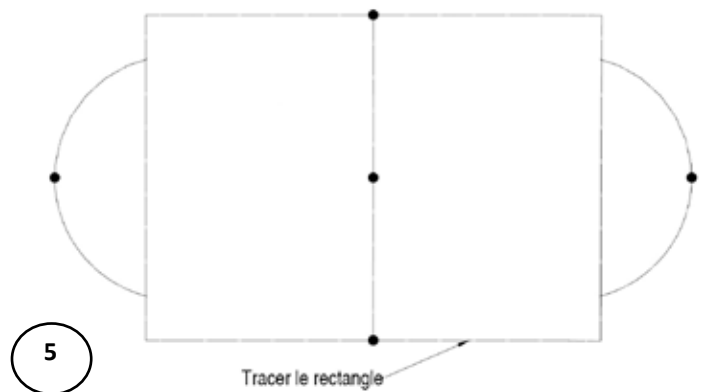


## Section 1

# GENERAL INSTRUCTIONS - YARDMORE OVAL POOLS GROUND PREPARATION

## B. CONT. PREPARE THE FOUNDATION OF YOUR POOL

- f. Mark areas along both straight sides of your oval. Use pegs and string as a guide for the can of spray paint to mark straight lines. **(Image 5)**



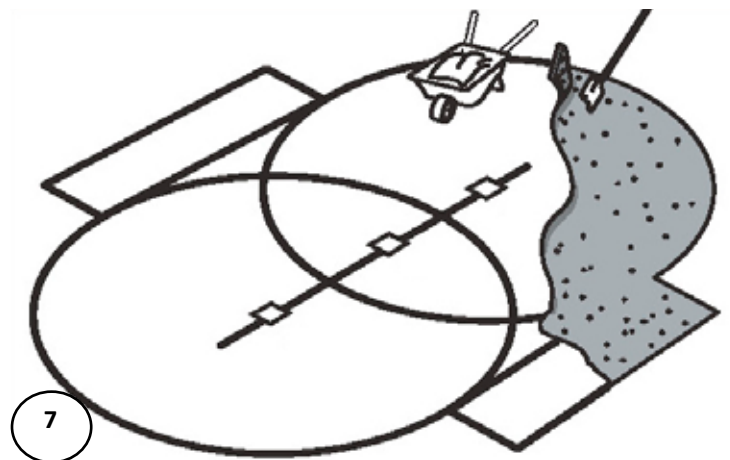
- g. You now have the space marked out that is needed for your oval pool. **(Image 6)**



## 2. Remove the sod

- a. Remove the sod from the area you have just outlined. **(Image 7)**
- b. Remove all debris (rocks, roots, etc) using a rake. Then compact the ground to achieve a firm base.

You can use a sod removal machine.



### Important Note:

Your pool must be perfectly level. Take the time you need to be sure your foundation is perfectly level.

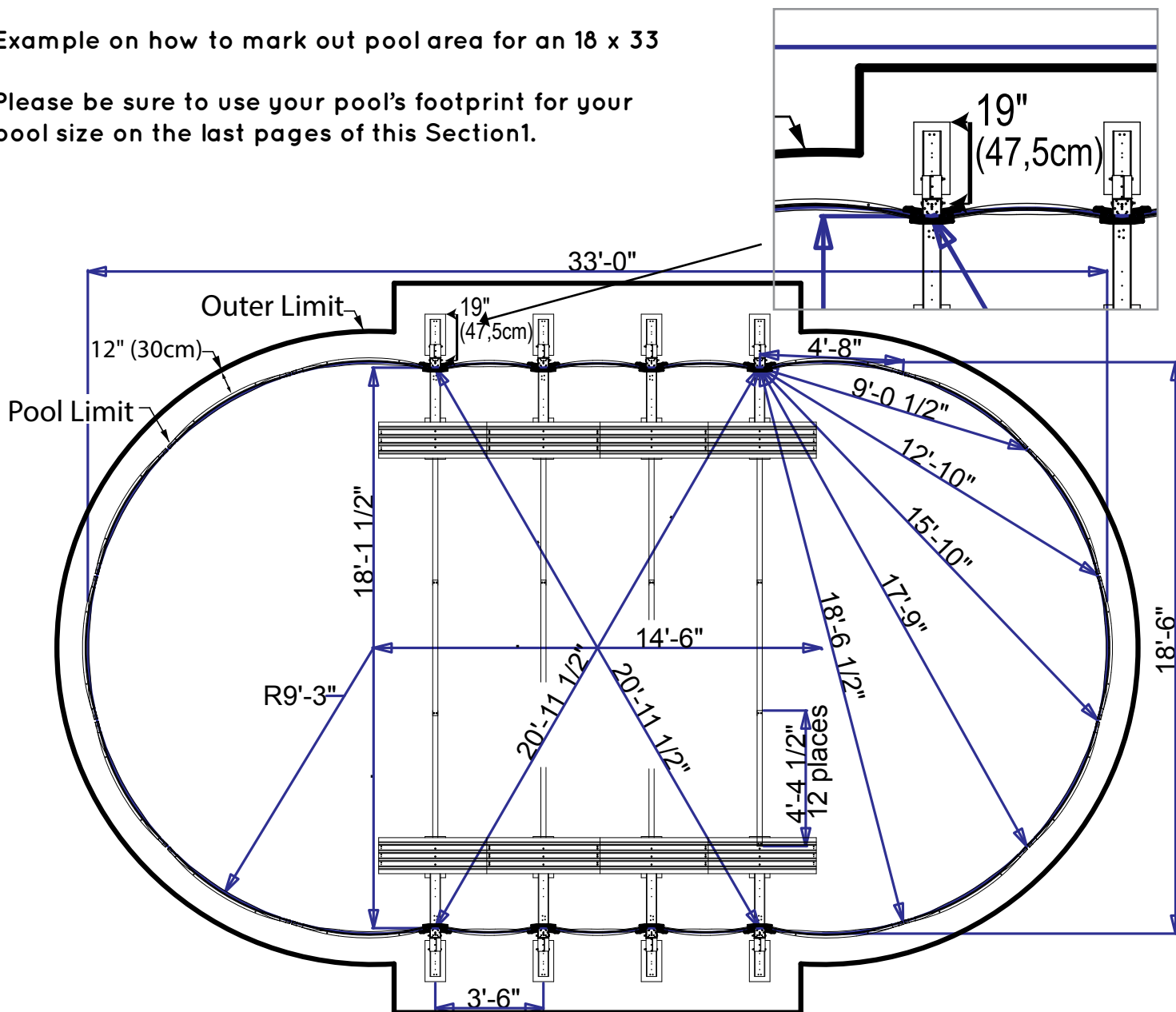
Section  
1

**GENERAL INSTRUCTIONS - YARDMORE OVAL POOLS**  
**GROUND PREPARATION**

**B. CONT. PREPARE THE FOUNDATION OF YOUR POOL**

Example on how to mark out pool area for an 18 x 33

Please be sure to use your pool's footprint for your pool size on the last pages of this Section1.



Perimeter 1047" (hole to hole)-Track length measured in track slot  
All dimensions are in inches

**EXAMPLE**

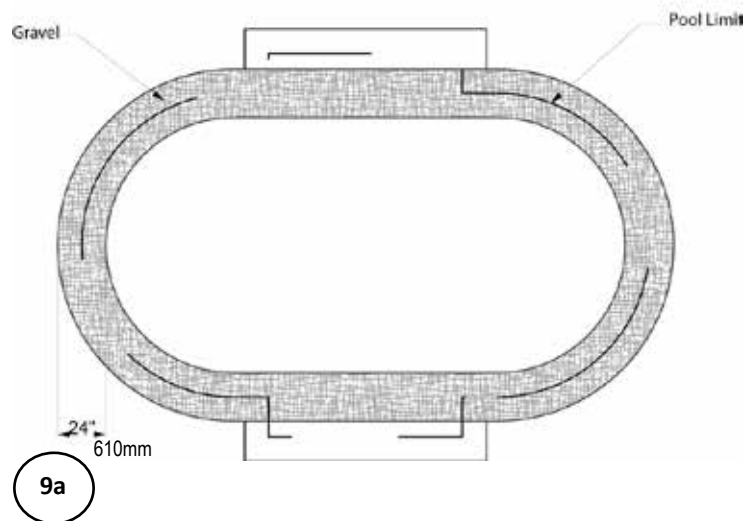
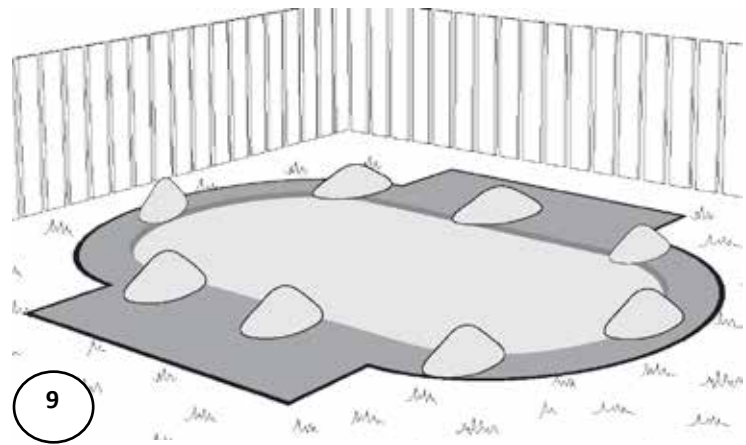
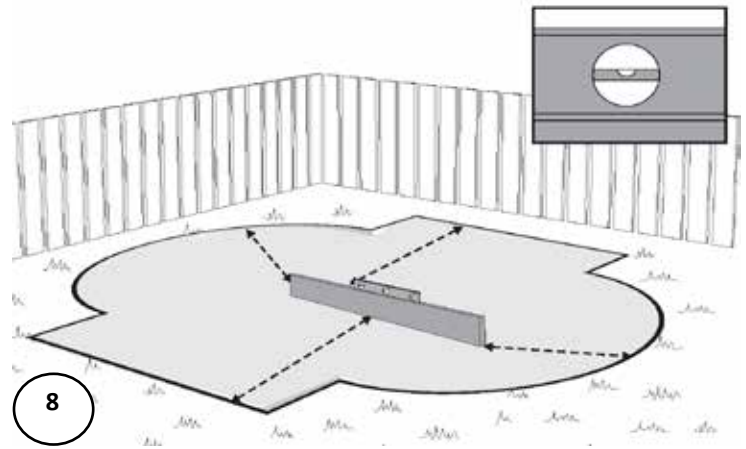
# Section 1

## GENERAL INSTRUCTIONS - YARDMORE OVAL POOLS GROUND PREPARATION

### B. CONT. PREPARE THE FOUNDATION OF YOUR POOL

#### 3. Make the area flat and level

- Remove all the high spots with a shovel, hoe or rake. To make sure your pool is stable, compact the ground well before adding the sand. Be prepared to hire earth moving equipment if you need to level a large area. Remember, your pool must be level across the diameter of the pool. **(Image 7)**
- Small dips and hollows may be filled in, but the soil must be hard-packed with a tamping tool or a soil compactor machine.
- Take material such as rock dust or fine mortar that can conform a solid, permanent base and deposit this material around the rim of the basin. **(Image 9)**
- The material used should be spread around the perimeter of the pool to a width of 24" (60cm) and a thickness of 2" (5cm). **(Image 9a)**
- Recheck the outer perimeter of the oval shape, where the pool wall will be placed. Compact the ground and make sure there are no high or low spots. The bottom edge of the pool wall must rest flat on the ground and have no gaps under it.



**Helpful Hint:**  
Use the optical level to ensure that the ground is perfectly flat and level.

**Important Note:**  
Your pool must be perfectly level. Take the time you need to be sure your foundation is perfectly level.

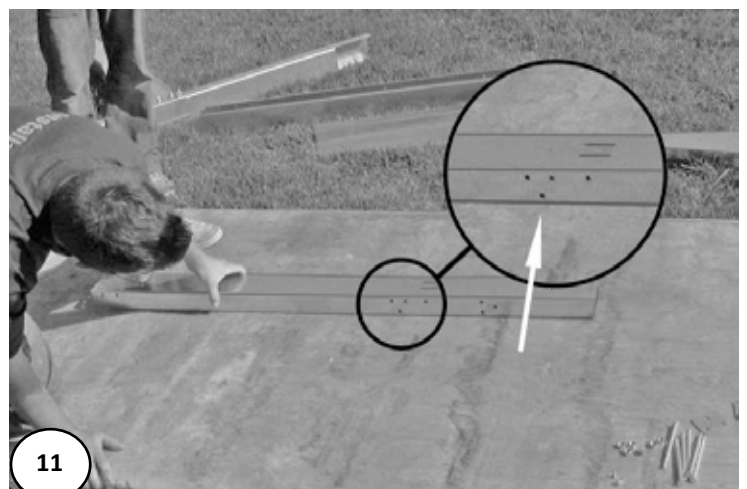
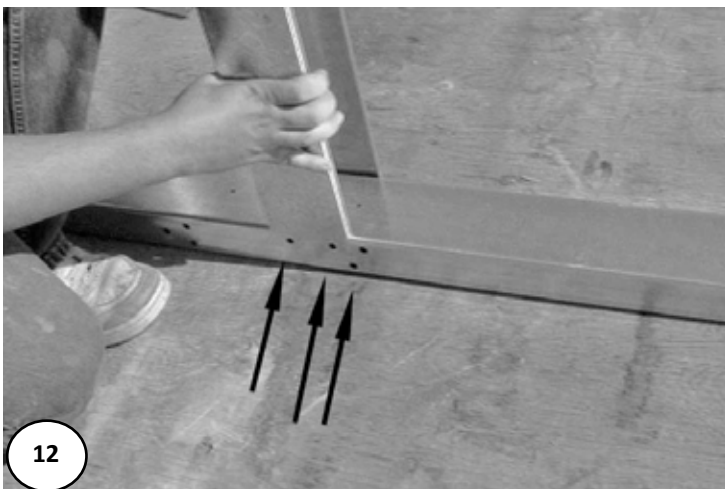
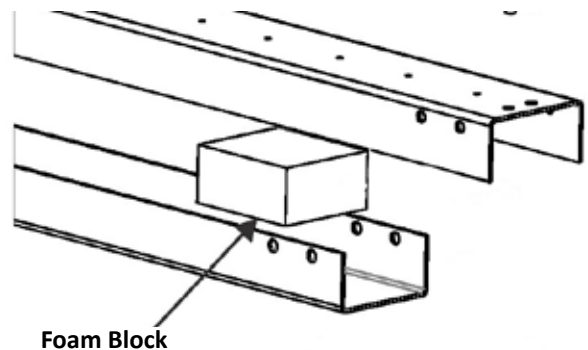
## Section 1

# GENERAL INSTRUCTIONS - YARDMORE OVAL POOLS GROUND PREPARATION

## C. PRE-ASSEMBLY OF THE STRAIGHT SECTION

### 1. Assembling the strap end channel

- a. Overlay the strap end channel over the under channel (under channel is belly-up). **(Image 10)**
- b. Before bolting the strap sections to the strap end channels, Insert the foam block in the front part of the strap end channel, insert it at least 1 1/2" past the edge of the channel. **(Image 10a)**
- c. Align the holes of the strap end channel with those of the underbox channel, but do not secure them with the bolts at this time. **(Image 11)**
- d. Slide the steel upright over the strap end channel making sure that the holes line up. The steel upright opening must face the longest part of the strap end channel. **(Image 12)**

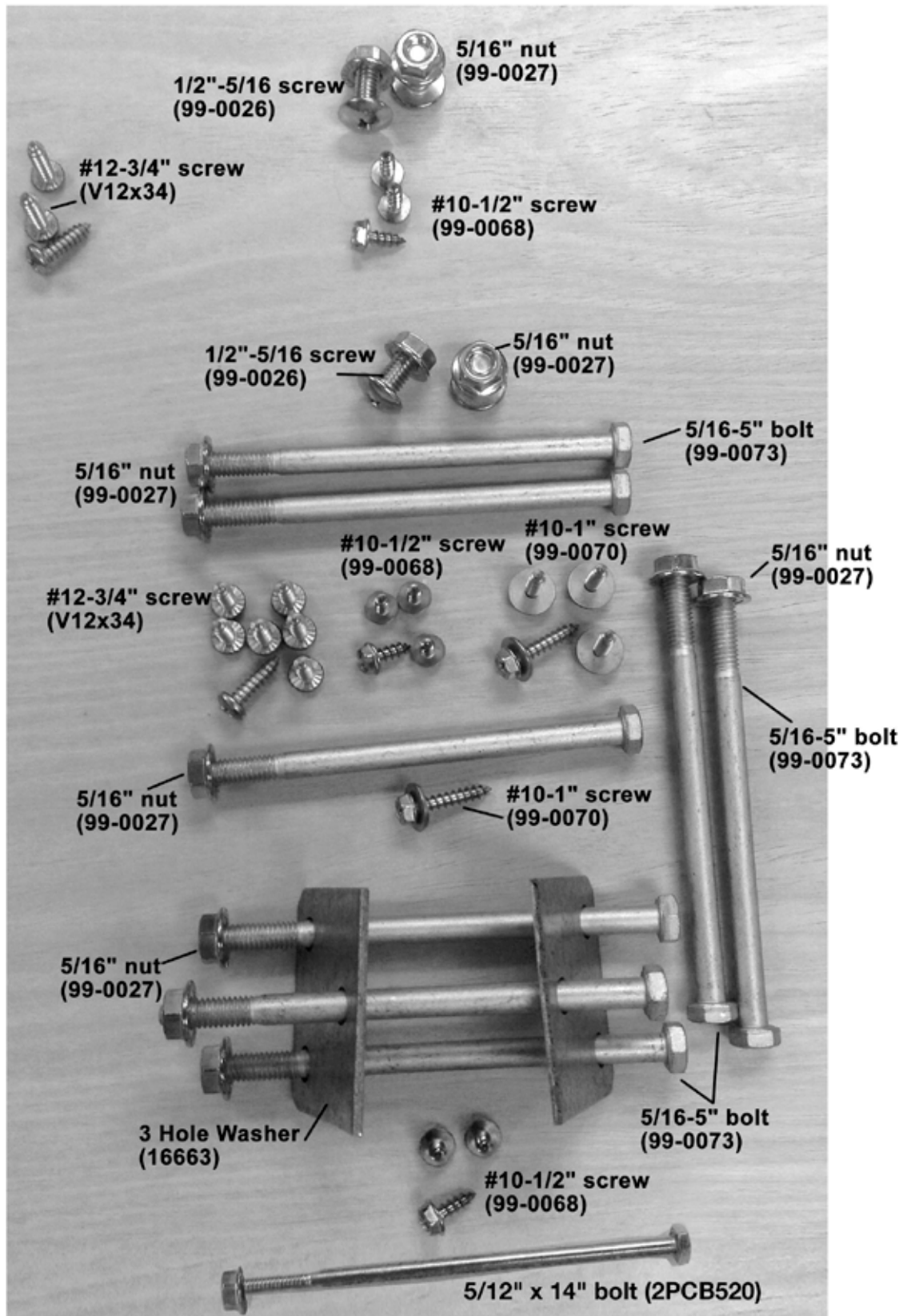




Section  
1

# GENERAL INSTRUCTIONS - YARDMORE OVAL POOLS GROUND PREPARATION

## C. PRE-ASSEMBLY OF THE STRAIGHT SECTION-Yardmore Hardware



## Section 1

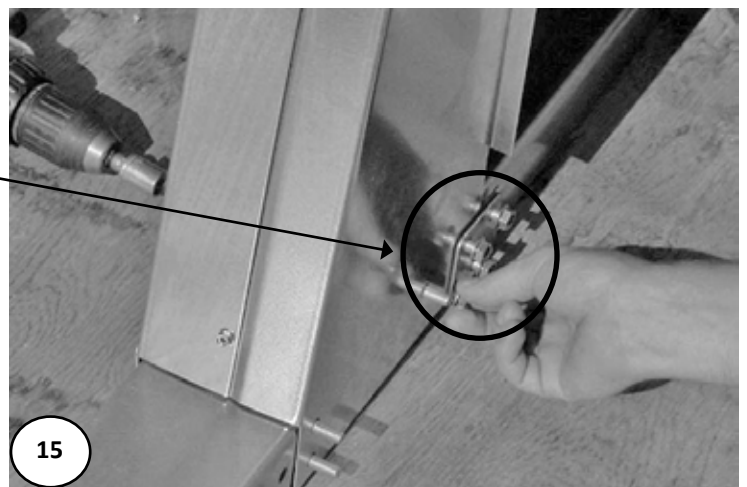
# GENERAL INSTRUCTIONS - YARDMORE OVAL POOLS GROUND PREPARATION

## C. CONT. PRE-ASSEMBLY OF THE STRAIGHT SECTION

- e. Insert the left and right gussets. the pieces are marked "L" and "R". Ensure that the holes are aligned. **(Image 13)**
- f. All holes should be lined up at this point. Use the 5/16" x 5" bolts (99-0073) and 5/16" nuts (99-0027) to connect the channels and to connect the gussets to the steel uprights. **Remember to include the three-hole washers (16663) on the front side of the gussets. (Images 14 & 15) DO NOT TIGHTEN THE BOLTS.**



THREE-HOLE WASHER



## Section 1

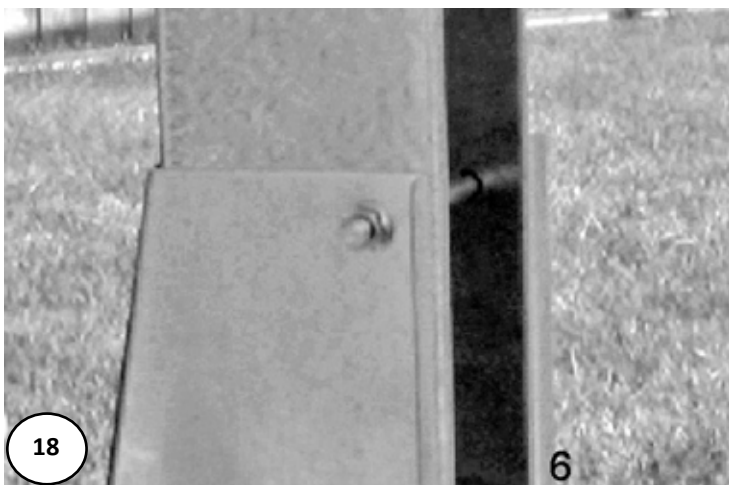
# GENERAL INSTRUCTIONS - YARDMORE OVAL POOLS GROUND PREPARATION

## C. CONT. PRE-ASSEMBLY OF THE STRAIGHT SECTION

- g. Once these pieces are in place, screw the left and right gussets to each other using three #10-1/2" screws (99-0068). **(Image 16)**



- h. In order to ensure that the steel upright and the channels are at right angles during the assembly, push the ends of the steel upright and the channels and tighten the bolts at the same time. First, tighten the bolts of the channels by maintaining a good pressure. For the screws on the steel upright and gussets, sufficiently tighten the bolts to let the screws exceed 1/8". **(Images 17 & 18)**



## Section 1

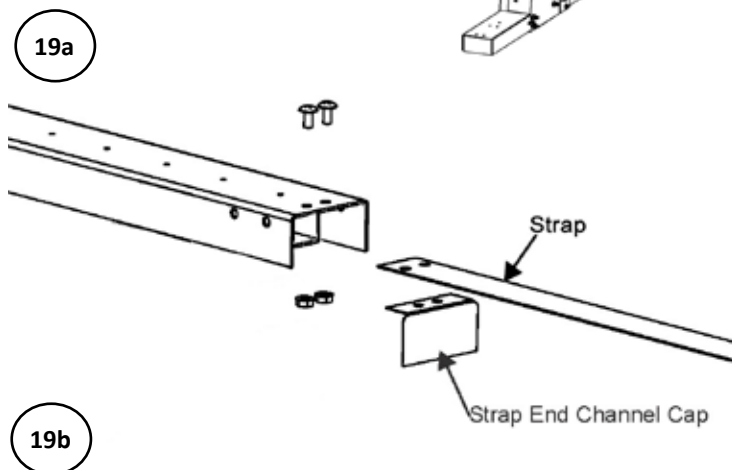
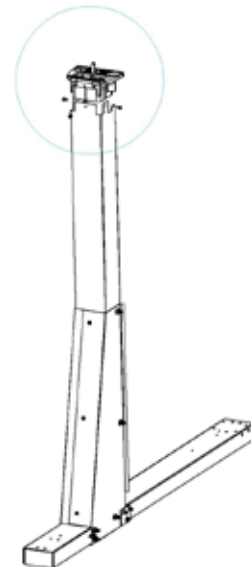
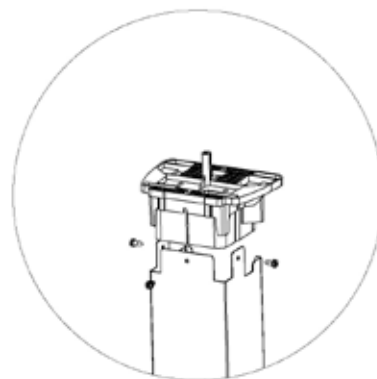
# GENERAL INSTRUCTIONS - YARDMORE OVAL POOLS GROUND PREPARATION

## C. CONT. PRE-ASSEMBLY OF THE STRAIGHT SECTION

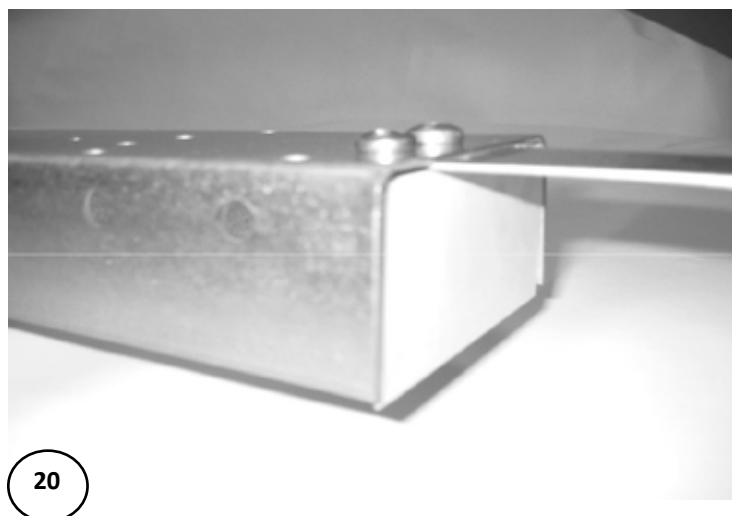
- i. Place a resin top plate on the top of each of the pool steel structures. The holes of the steel top plate and steel structure must be aligned and screwed on the side using three #10-1/2" screws (99-0068). **(Image 19a)**

**NOTE:** Be sure to verify your pool's footprint to ensure correct strap lengths.

- j. Slide a strap under the front part of a channel, the two holes in these End Channel Caps will line up with the two holes in the straps. **(Image 19b)**
- k. The End Channel Caps are secured in place using the same two 5/16" x 1/2" screws (99-0026) and 5/16" nuts (99-0027) that are used to secure the straps to the strap end channels. **(Image 20)**



**⚠ Helpful Hint:**  
Do not be alarmed if you are not using all of the holes in the strap end channels.



## Section 1

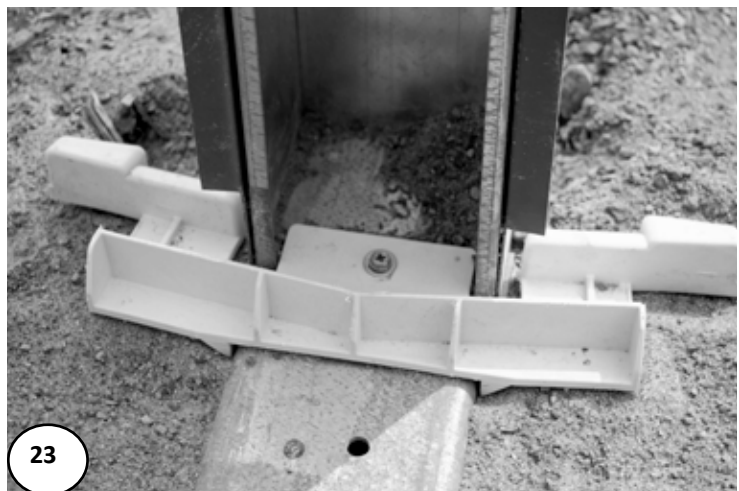
# GENERAL INSTRUCTIONS - YARDMORE OVAL POOLS GROUND PREPARATION

## C. CONT. PRE-ASSEMBLY OF THE STRAIGHT SECTION

### 1. Bottom plates - straight section

- a. Screw the bottom plate on the strap end channel with a #10-1" screw (99-0070). The bottom plate has to sit on the edge of the strap end channel and the steel upright. *(Images 21 to 23)*
- b. The installation of the bottom plates for the round section will continue in Section 2.

Proceed to the next step, Measuring for the buttress trenches.



#### Helpful Hint:

Do not be alarmed if you are not using all of the holes in the strap end channels.

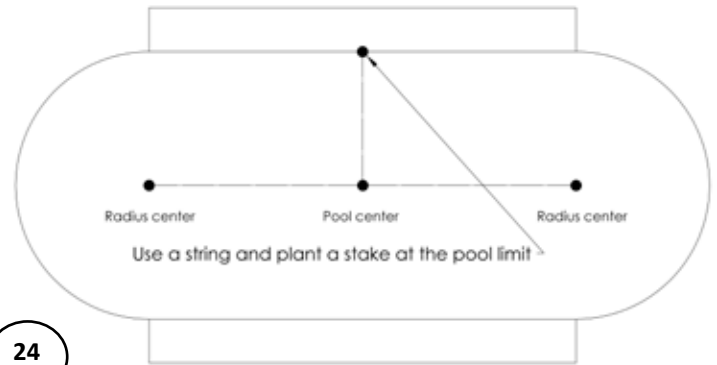
# Section 1

## GENERAL INSTRUCTIONS - YARDMORE OVAL POOLS GROUND PREPARATION

### D. GROUND PREPARATION FOR THE BUTTRESS

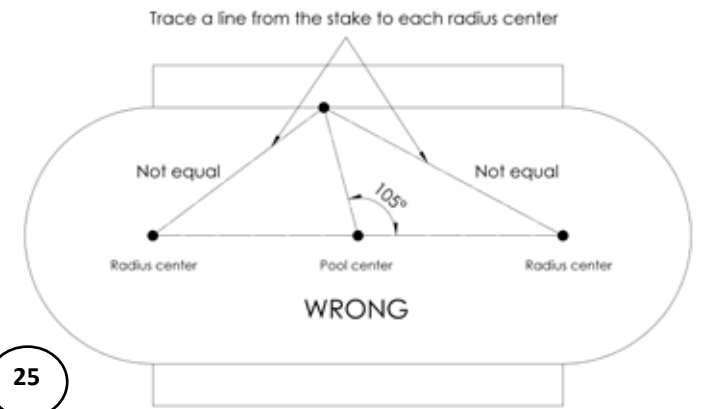
#### 1. Measuring for the buttress trenches

a. In order to measure where trenches need to be dug for the placement of the buttress, you must first draw a perpendicular line in order to create a perfect 90 degree angle. From the pool center, trace a straight line to the oval perimeter **(Image 24)**



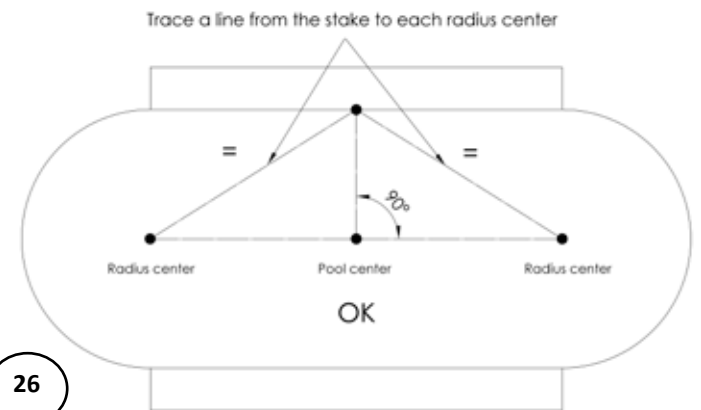
24

b. In order to ensure that your line is perpendicular, measure from each radius center to the top of your line. The measurement should be exactly the same on each side. If not, adjust until both are the same and you will now have a perfect perpendicular line, therefore creating a perfect 90 degree angle. **(Images 25 & 26)**



25

c. Repeat the first two steps to create a perpendicular line in order to create a perfect 90 degree angle for the other side of the oval pool.



26

**⚠ Important Note:**  
It is very important that when you follow the instructions on the next page, that you apply the next steps to only one side of the pool at a time. It is imperative that you follow the next steps in order.

## Section 1

# GENERAL INSTRUCTIONS - YARDMORE OVAL POOLS GROUND PREPARATION

## D. CONT. GROUND PREPARATION FOR THE BUTTRESS

### 2. Digging the buttress trenches

#### Odd number of trenches;

- a. If your oval pool contains an even number of buttresses, please see next page for Even number trenches. If your oval pool contains an odd number, position the buttress temporarily on the straight center line from the middle. **(Image 27)**

**Note: Odd number means the total of sections on one side, for example a 12 x 24 pool has Odd number.**

- b. Trace around the buttress and dig a trench. Dig the trench 3 to 5 inches deep by 10 inches wide and the length of 52 1/2 inches long. **(Image 28)**
- c. The bottom plates for the straight section must be at the same level with the crushed stone. If you do not put crushed stone, understand that the bottom plates all around the pool must be at the same level. The warranty will void if you do not comply with this requirement.
- d. Apply crushed stone at 1 inch, then compress. Place a concrete block of 2 inches at each end of the trench.



#### Important Note:

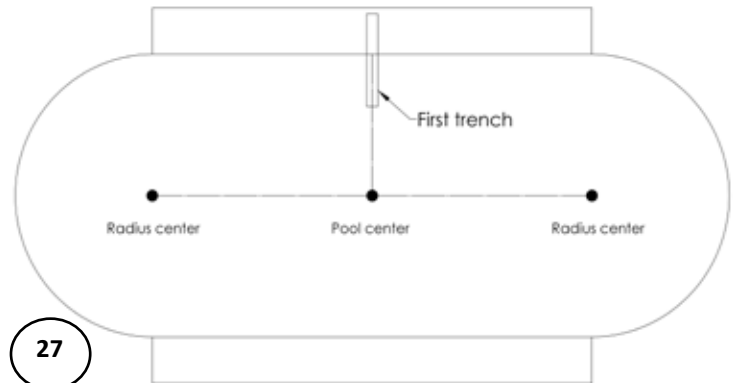
This first buttress that you install will be the reference to install the remaining buttresses, therefore ensure that measurements and placements are exactly where they need to be.

- e. Once the block is installed, measure the depth of the trench, it must be 2 inches deep. Make sure the block is level by using an optical level. Ensure that both blocks are at the same level.
- f. Place the buttress structure on the blocks and ensure that each buttress is parallel to each other. **(Image 29)**

#### See Diagrams:

Please verify your pool's footprint for correct measurements on the last pages of this Section 1. Please ensure to verify the footprint of your pool size for the correct placement.

Odd number of sections



## Section 1

# GENERAL INSTRUCTIONS - YARDMORE OVAL POOLS GROUND PREPARATION

## D. CONT. GROUND PREPARATION FOR THE BUTTRESS

### Even number of buttresses;

- If your oval pool contains an even number of buttresses, measure from the center line out 21". Position the buttress temporarily off the straight center line from the middle. **(Image 30)**  
**Note: Even number means the total of sections on one side, for example a 15 x 30 pool has Even number.**
- Trace around the buttress and dig a trench. Dig the trench 3 to 5 inches deep by 10 inches wide and the length of 52 1/2 inches long. **(Image 31)**
- The bottom plates for the straight section must be at the same level with the crushed stone. If you do not put crushed stone, understand that the bottom plates all around the pool must be at the same level. The warranty will void if you do not comply with this requirement.
- Apply crushed stone at 1 inch, then compress. Place a concrete block of 2 inches at each end of the trench.

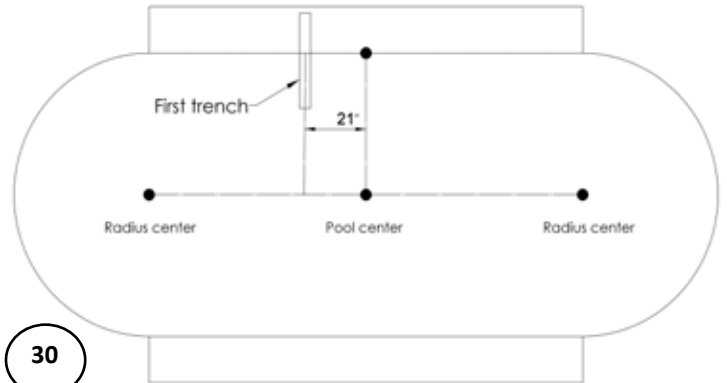


### Important Note:

This first buttress that you install will be the reference to install the remaining buttresses, therefore ensure that measurements and placements are exactly where they need to be.

- Once the block is installed, measure the depth of the trench, it must be 2 inches deep. Make sure the block is level by using an optical level. Ensure that both blocks are at the same level.
- Place the buttress structure on the blocks and ensure that each buttress is parallel to each other. **(Image 32)**

### Even number of sections



30



31



32



## Section 1

# GENERAL INSTRUCTIONS - YARDMORE OVAL POOLS GROUND PREPARATION

## D. CONT. GROUND PREPARATION FOR THE BUTTRESS

### 4. Finish trenches and patio stone installation

- a. Continue to finish one by one the remaining trenches with patio blocks for the buttress installation. **It is important to finish one side of the oval only.**
- b. Once all the trenches are dug and buttresses with patio stones are installed, **on the one side only.** Remeasure each buttress to ensure that they are all straight and that the buttress is perpendicular. **(Image 33)**
- d. From the first buttress, check to see that second buttress is 42" from center and continue to ensure that all measurements between each buttress is equal.
- e. \*Now add crushed stone around the buttress (do not cover) and be careful not to move the buttress. Take measurements at every upright and then check measurement again. **(Image 34)**



# Section 1

## GENERAL INSTRUCTIONS - YARDMORE OVAL POOLS GROUND PREPARATION

### E. ASSEMBLING THE BUTTRESS STRAPS AND PRESSURE PLATES

#### 1. Assemble the pressure plates

- Place crushed stone or soil where the pressure plates are going to be placed. This will have the effect of supporting the pressure plate.
- When placing the pressure plates use the side that is corrugated and face it up, the flat side needs to face the ground. **(Image 35)**
- Put the pressure plates on the tip of the strap end channel to 20 1/2" from the steel upright. **(Image 36)**
- For the alignment of the pressure plate there is a hole at less than one inch from the edge of the plate. This hole is facing the vertical part of the steel structure. Once the plates are in position, secure them to the channels using **three** #10-1/2 screws (99-0068), (you will see four holes but use **only three**). **(Image 36)**

*Note: Be sure that the pressure plate fits so that the end channel does not show. Please ensure the end channel is flush with plate.*

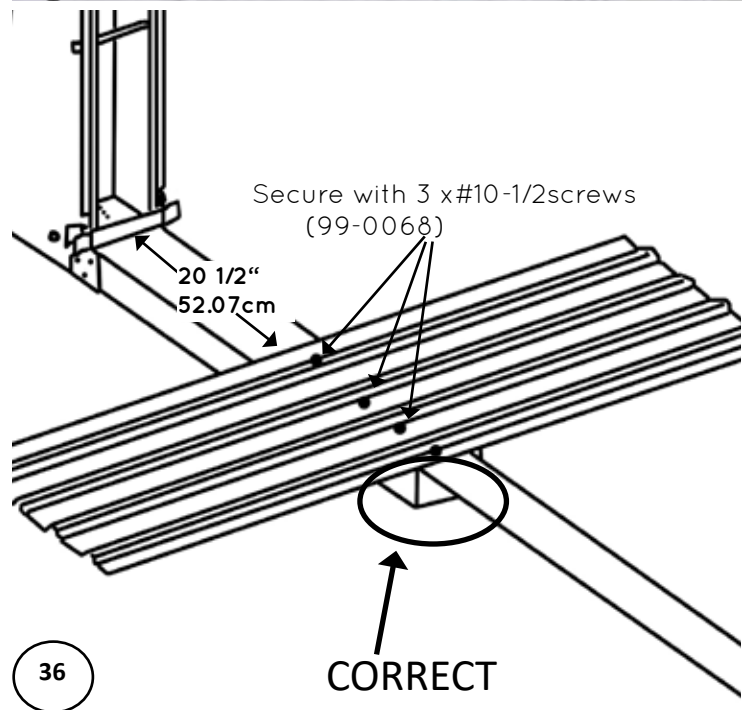
**IMAGE 36 is CORRECT**

**IMAGE 37 IS INCORRECT**

**⚠ Important Note:**  
If the holes do not align, **DO NOT** drill holes! Verify the alignment of the structures.

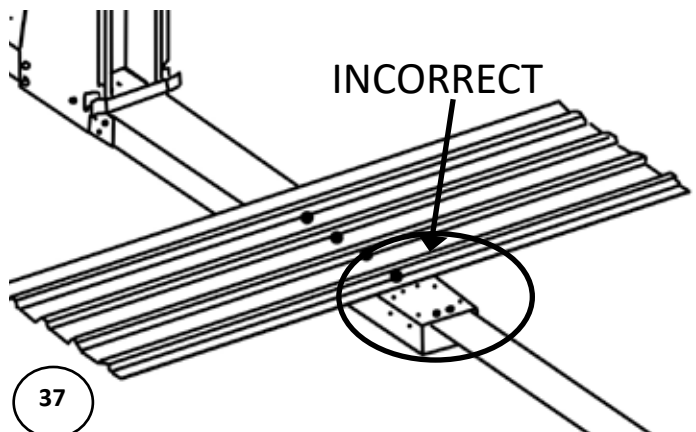


**35 FLAT SIDE-FACE DOWNWARDS**



**36**

**CORRECT**



**37**

**INCORRECT**

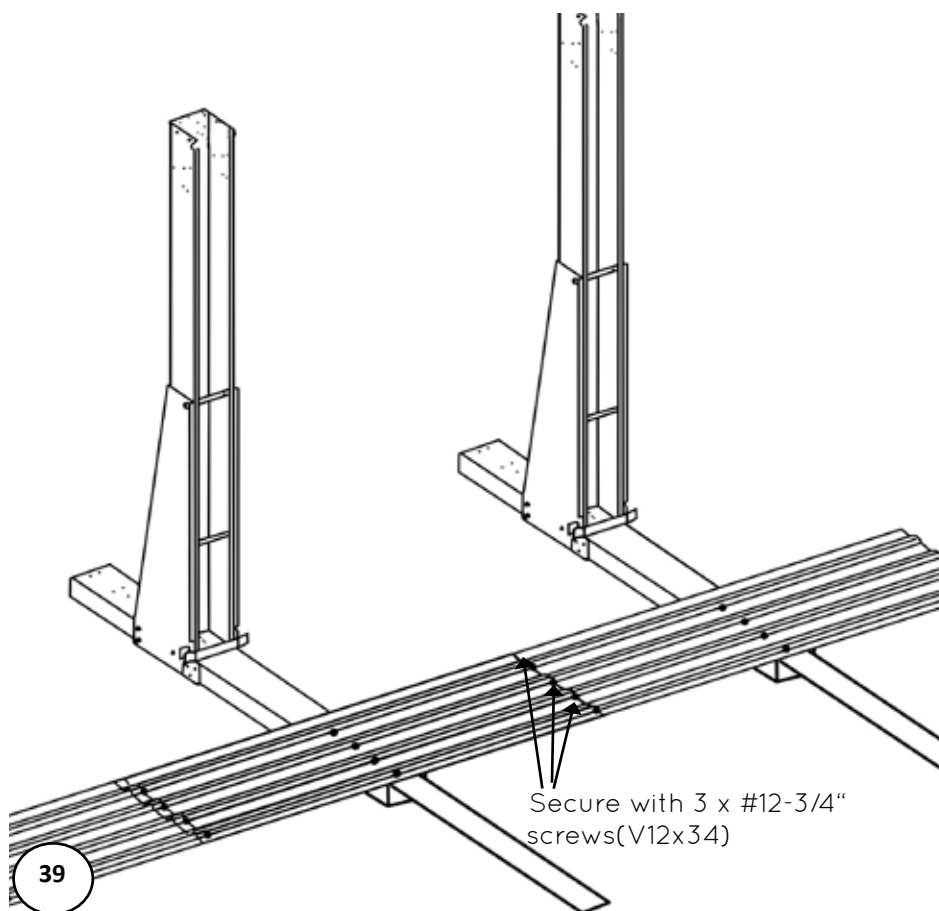
## Section 1

# GENERAL INSTRUCTIONS - YARDMORE OVAL POOLS GROUND PREPARATION

## E. CONT. ASSEMBLING THE BUTTRESS STRAPS AND PRESSURE PLATES

- e. Once all plates are secured to the channels, the plates should overlap each other. Secure the plates to each other using **three** #12-3/4" screws (V12x34) in each overlapping area. *(Images 38 & 39)*

You may now go back to step 2-Digging the buttress trenches, to continue for the remaining side of the oval.



### Important Note:

If the holes do not align, DO NOT drill holes! Verify the alignment of the structures.

# Section 1

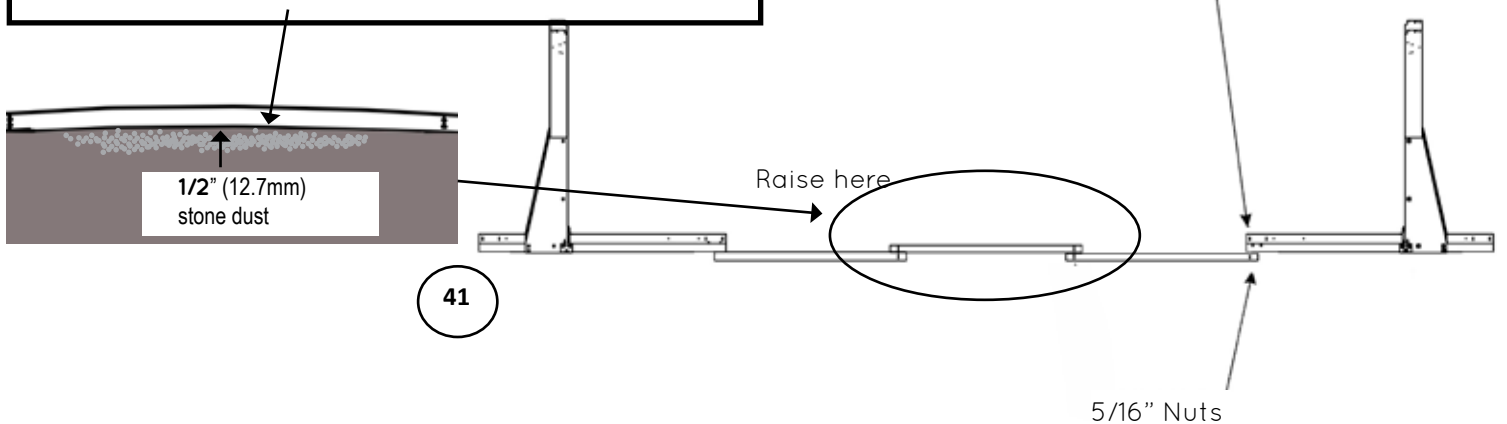
## GENERAL INSTRUCTIONS - YARDMORE OVAL POOLS GROUND PREPARATION

### E. CONT. ASSEMBLING THE BUTTRESS STRAPS AND PRESSURE PLATES

#### 2. Assembling remaining straps

- Once both sides of the buttresses have been installed perfectly, check that all is measured perfectly.
- Add the remaining straps that join across to other straps with 1/2" x 5/16 screws (99-0026) & nuts (99-0027) . Make sure the screw heads are facing upward. Remeasure and tighten screws. Recheck measurement again. (Images 40 & 41)

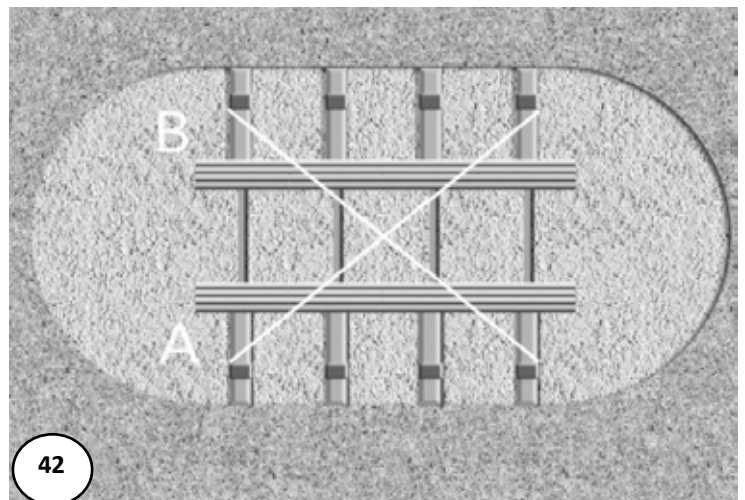
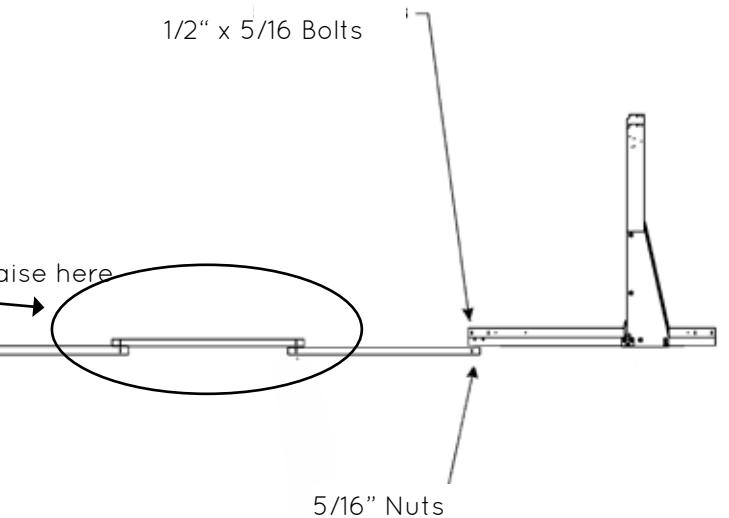
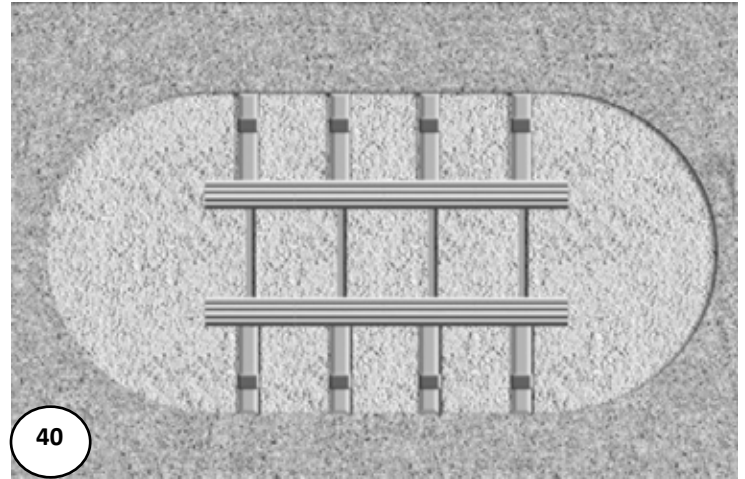
**Important Note:**  
Ensure that the straps raise higher in the middle, therefore you may need to put a little more stone dust underneath, appx 1/2". If you fail to do this the straps will lift when the pool is filled with water.



- Measure the two intersecting the two straight sections are parallel and square. (Image 42)

**Note:**  
It may feel tedious to be always measuring, but this only helps to ensure proper installation and avoiding problems further on.

#### 3. Proceed to Section 2 - Assembling the Pool Base



Section  
1

**GENERAL INSTRUCTIONS - YARDMORE OVAL POOLS  
GROUND PREPARATION**

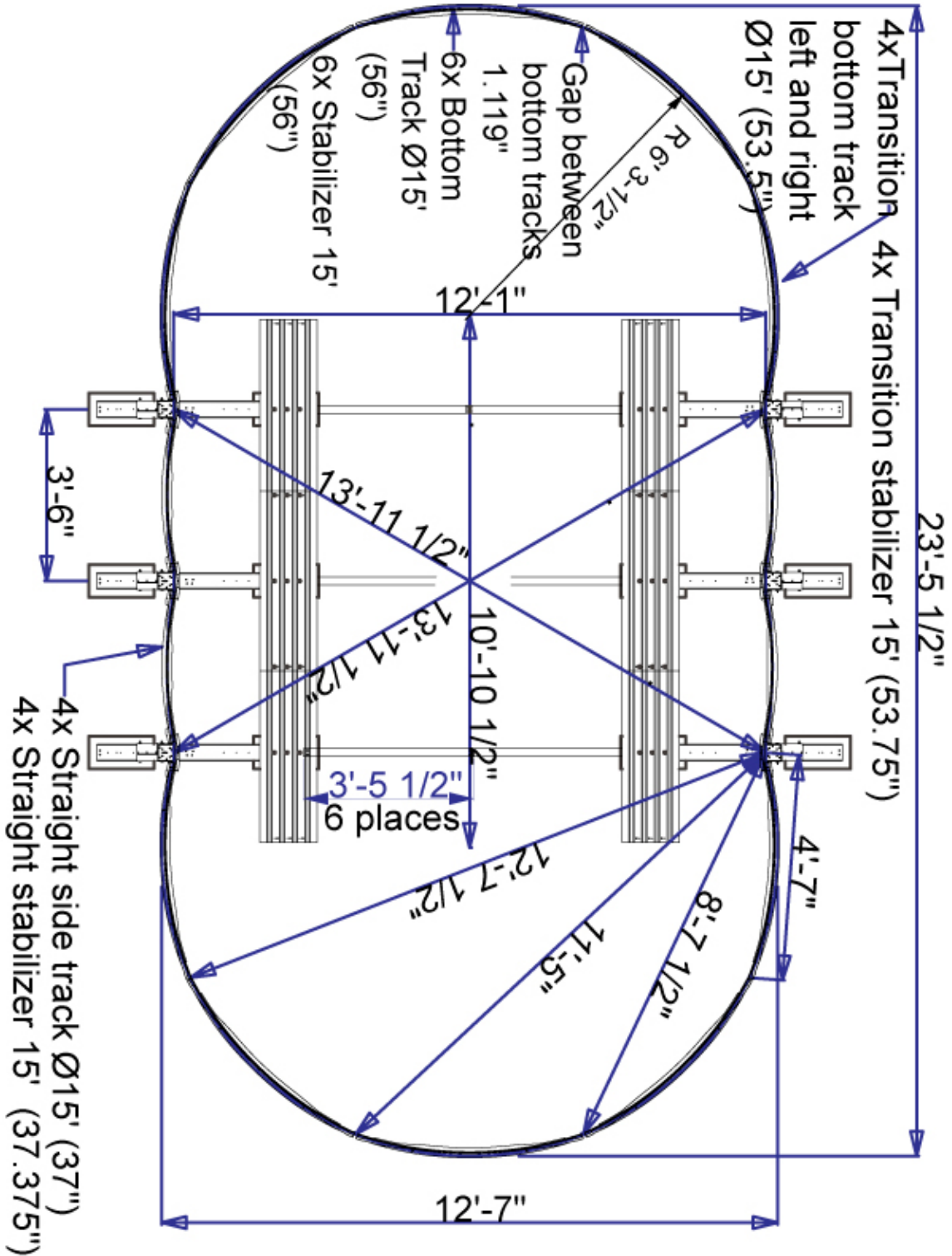
**THE FOLLOWING SECTION  
CONTAINS YOUR POOL'S FOOTPRINT**

Section  
1

GENERAL INSTRUCTIONS - YARDMORE OVAL POOLS  
GROUND PREPARATION

OVAL FOOTPRINT - 12 x 24

Perimeter 737" (hole to hole)-Track length measured in track slot  
All dimensions are in inches



Manufacturer's tolerances and field condition may result in dimensional variations.

## Section 2

# GENERAL INSTRUCTIONS - YARDMORE OVAL POOLS ASSEMBLING THE POOL BASE

## A. INSTALLATION OF BOTTOM PLATES AND BOTTOM RAILS

### 1. Bottom rails - straight section

#### Important Note:

PLEASE SEE NOTE ON NEXT PAGE IN REGARDS TO THE DIFFERENT LENGTHS OF BOTTOM RAILS.

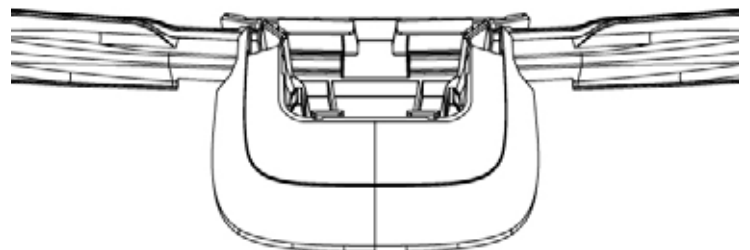
- Remove dust and dirt between the bottom plate and the strap end channel.
- Install the straight bottom rail between the steel structures. The bottom rail has to fit inside the bottom plate, remove any dirt or small rocks during installation. *(Images 1 & 2)*
- Install the transition (corner) rail between the straight and the round sections of the pool.



### 2. Bottom plates & rails - round section

- Continue the installation of the bottom plates of the round section. Insert the end of each bottom rail into the bottom plate. Leave a gap between the ends of the bottom rails. *(Image 3)*

See Diagrams:  
Please refer to your pool's footprint (Section 1, last pages)  
for gap measurement.



3



## IMPORTANT NOTE

There are three types of bottom rails;

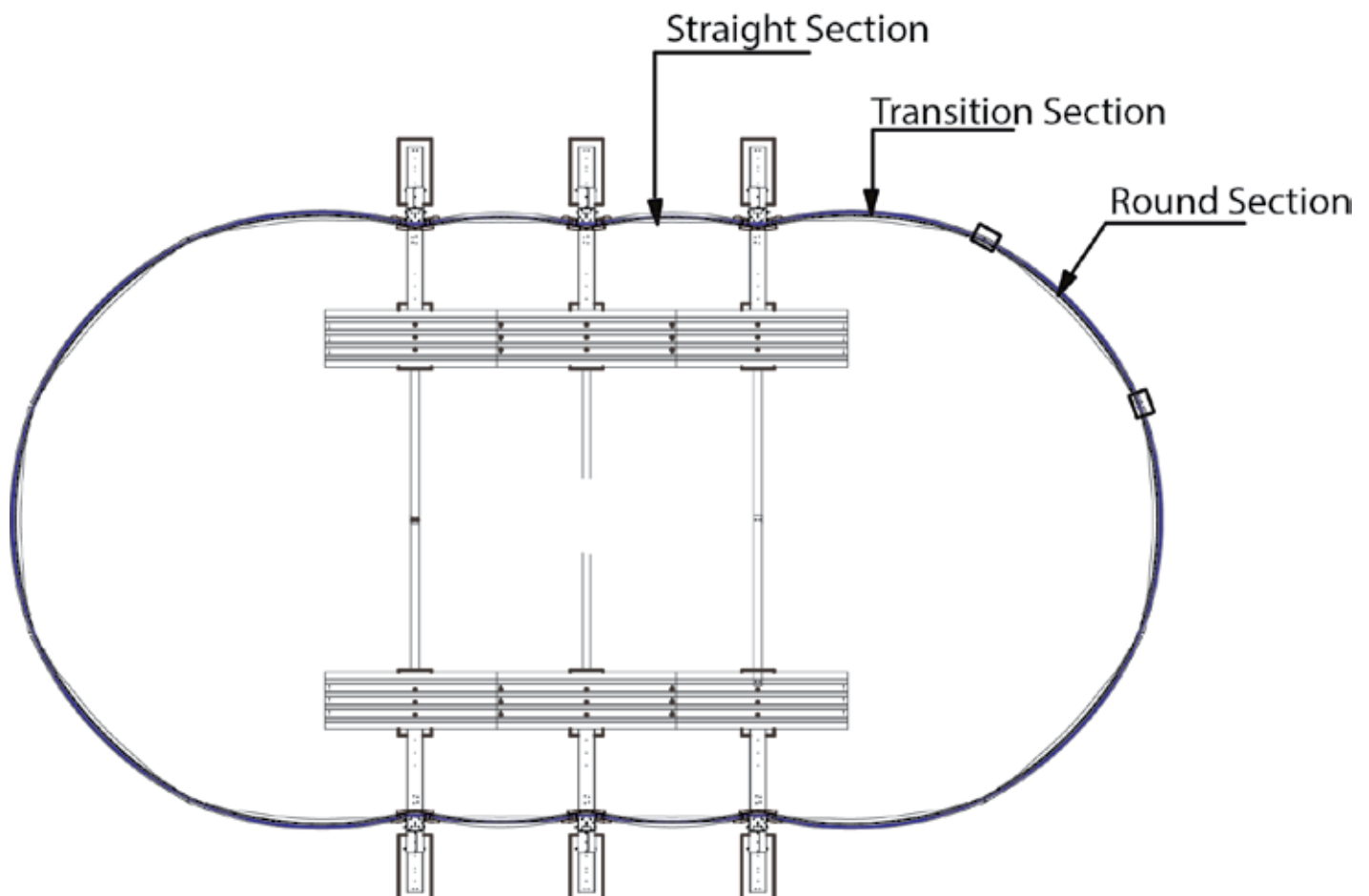
1- Straight Section

2- Round Section

3- Transition (End of the Straight Section).

To differentiate which bottom rail is which;

- The Straight Section will measure the shortest in length
- The Transition Section will measure will measure longer than the straight section, but shorter than the round section.
- The Round Section will be the longest measurement.



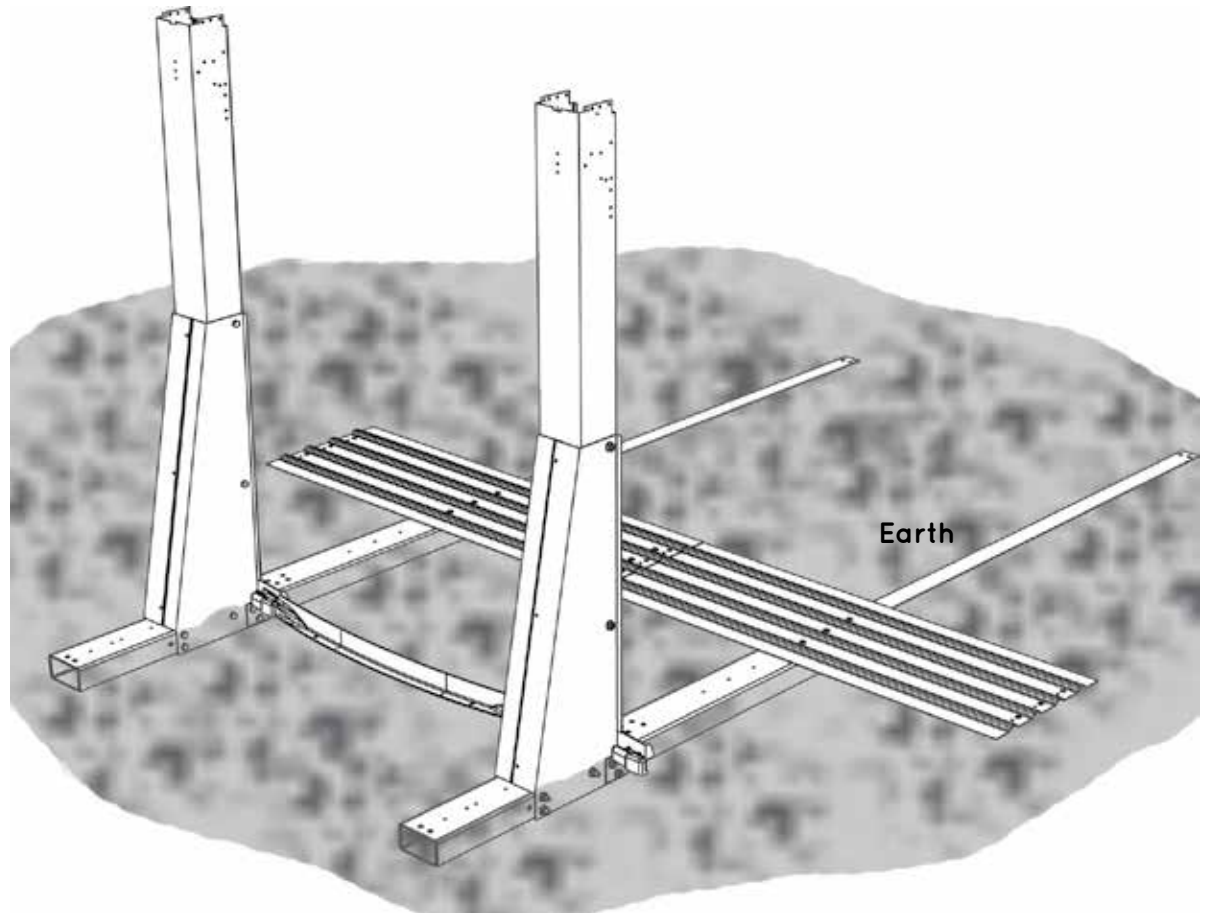


Section  
2

## GENERAL INSTRUCTIONS - YARDMORE OVAL POOLS ASSEMBLING THE POOL BASE

### A. CONT. INSTALLATION OF BOTTOM PLATES AND BOTTOM RAILS

- b. The uprights on the straight section will now be finished. *(Image 4)*



4

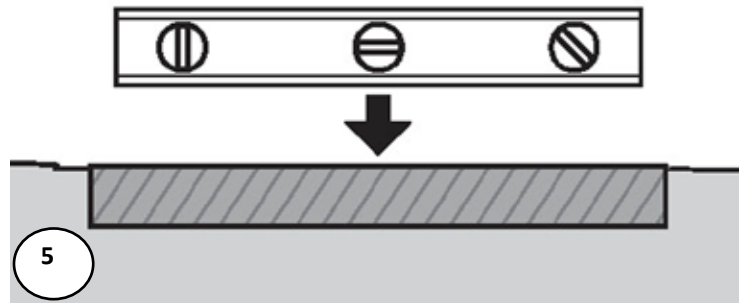
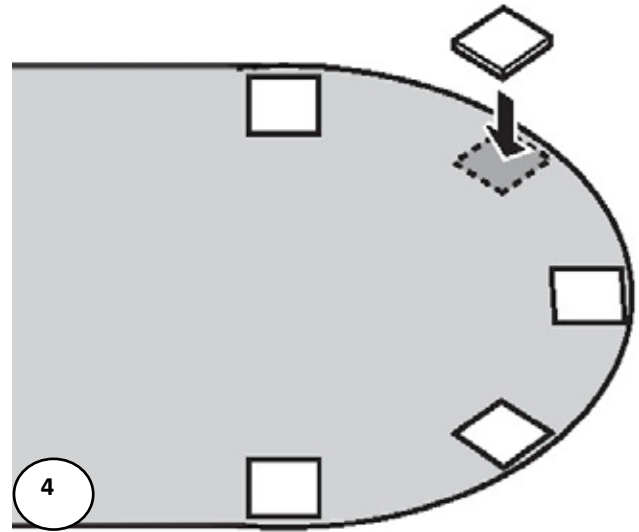
## Section 2

# GENERAL INSTRUCTIONS - YARDMORE OVAL POOLS ASSEMBLING THE POOL BASE

## A. CONT. INSTALLATION OF BOTTOM PLATES AND BOTTOM RAILS

### 3. Patio Stones (Recommended) For Round Section

- Concrete patio stones may be placed at the base of each upright of your pool. **(Image 4)**
- Each bottom plate will show the location for a patio stone. Make a mark in the ground at each base plate.
- Remove the bottom rails and bottom plates and lay out the patio stones around the circle where the bottom plates were.
- The patio stones must be sunk into the ground so the tops are flush with the soil around them. **Use the carpenter's level to make sure the patio stones are perfectly level and flush with the ground.** Use either the carpenter's level and a 2-by-4 (5cm x 10cm) wood plank, or the optical level between patio stones to make sure the stones are level with each other. **(Image 5)**
- Do not install blocks or rails on loose sifted soil or sand. There must be no space between the ground and the bottom of the rails. All patio blocks must be flush with the ground, solid and level with each other in all directions.



**NOTE:** Installing patio blocks is recommended. Patio blocks may shift due to temperature changes.

#### Important Note:

Make sure the patio stones are perfectly level and flush with the ground. All patio blocks must be flush with the ground, solid and level with each other in all directions.

## Section 2

# GENERAL INSTRUCTIONS - YARDMORE OVAL POOLS ASSEMBLING THE POOL BASE

## A. CONT. INSTALLATION OF OF BOTTOM PLATES AND BOTTOM RAILS

### 4. Measure the perimeter of your pool

- Measure the perimeter of your pool and hammer nails into the ground to keep the bottom rails into place. These nails are to be removed only at the last step-when filling up the pool. *(Image 6)*

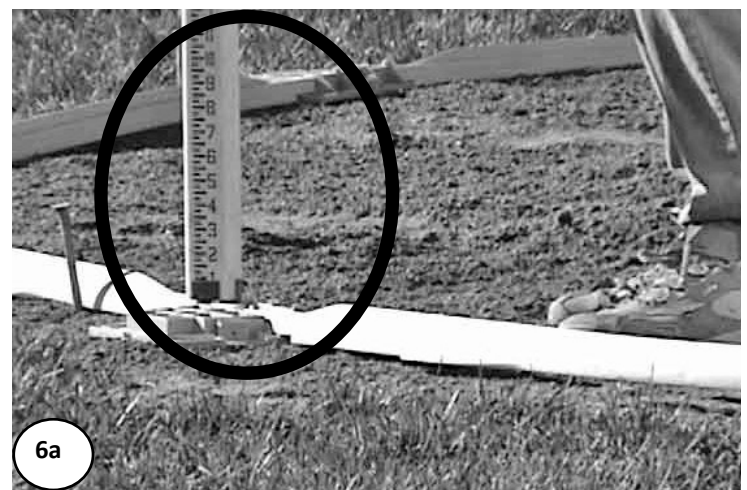
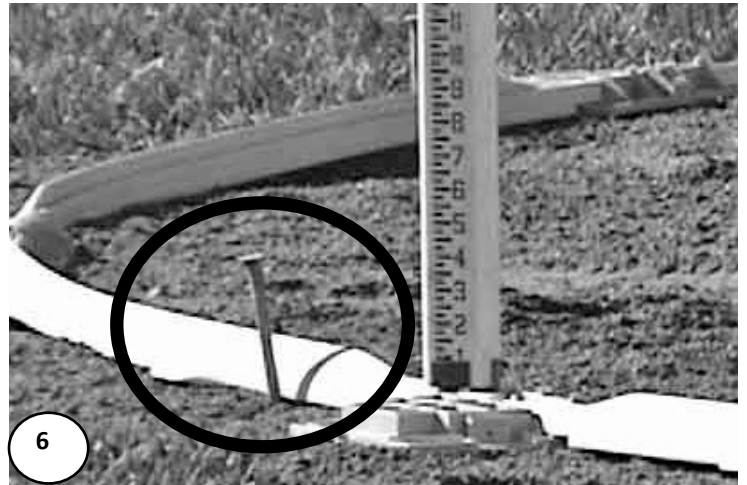
#### Important Note:

Use a soft measuring tape to measure around the perimeter of the pool. Measure from the inside of the bottom rail, the measurement should equal the wall length.

- Verify the height of each bottom plate with an optical level. Ensure that they are the same height. *(Image 6a)*

### 5. Fill inside the pool area

- Pour sifted sand in the centre of your pool. Ensure that you will have enough to build a 3" thick bed of sand across the entire inside of the pool (wall-to-wall) to form your base and a 4" angle of sand on top of the 3" sand base (total sand cove height of 7") where the base meets the pool wall.
  - Foam pool cove can be substituted for the 4" angle of sand placed on top of the 3" sand base.



## Section 3

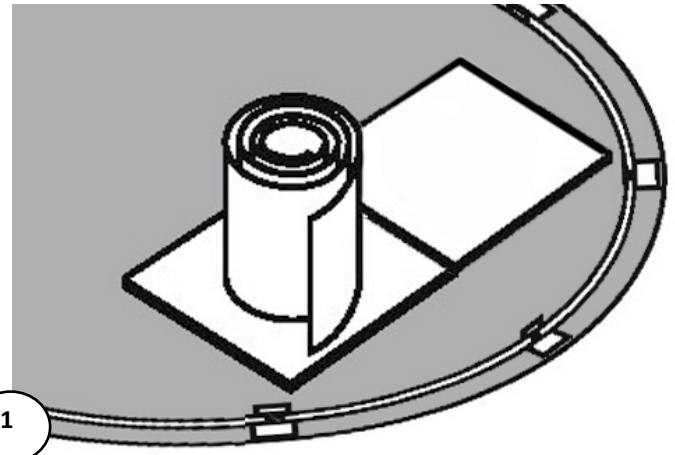
# GENERAL INSTRUCTIONS - YARDMORE OVAL POOLS ASSEMBLING THE POOL WALL

## A. SETTING UP THE POOL WALL

**Do not attempt to install the pool wall in the wind, wait for a calm day.**  
**It takes at least 3 people to install the pool wall.**

### 1. Preparing for the wall installation

- Bring the following items into the middle of the pool foundation before you start uncoiling the pool wall: plywood, some extra sand or fine dirt to make the cove and a ladder to climb out after the wall is assembled.
- Make sure the skimmer and water return holes are located where you need them to be. The skimmer and water return holes are positioned towards the end of the wall, **(the section before where the wall started)**.  
If you have a Stainless Steel Service panel with your wall, please refer to Section 3 B. Stainless Steel Panel.



### 2. Set the pool wall in place.

- Unpackage the coiled pool wall and stand it on 2 pieces of plywood at the place close to where you need to install the skimmer. **(Image 1)**  
*(Remember the skimmer and water return holes will be placed at the section just before where you started the wall installation).*
- Start uncoiling the wall, guiding the bottom edge into the curved bottom rail. The starting end of the wall must be positioned in the centre of a bottom plate, and the skimmer and return holes should be positioned where the pump and filter will be. **(Image 2)**
- As you erect the wall, install the stabilizers temporarily to obtain greater stability. You should also use heavy vinyl-covered hooks and rope to hold the wall steady. Ideally, however, you should work with several people. **(Image 3)**
- When uncoiling the wall, the skimmer and return holes are positioned toward the end of the wall.



**⚠ Important Note:**  
It is preferable to use very fine sand that is easily compacted. Be careful not to spill sand on the bottom rails. Be sure to clear sand or stone dust from the bottom rails otherwise the wall will buckle.

## Section 3

# GENERAL INSTRUCTIONS - YARDMORE OVAL POOLS ASSEMBLING THE POOL WALL

## A. CONT. SETTING UP THE POOL WALL

### 3. Join the ends of the pool wall

- a. Line up the holes in the two ends of the pool wall.  
*(Image 4)*
- b. Now that you have installed the wall you can be faced with three scenarios.
  - 1) The wall joints align perfectly, if so, move on to the next step (c).
  - 2) Your wall appears to be too short. **It is not.** However the space between the bottom rails must be decreased by lightly tapping the bottom plates towards the inside of the pool. You can also tap the wall lightly with both hands in the desired direction.  
*(Image 5)*

You **MUST** recheck the gaps at each and every one of the bottom rails so that they are all equal in gap size.

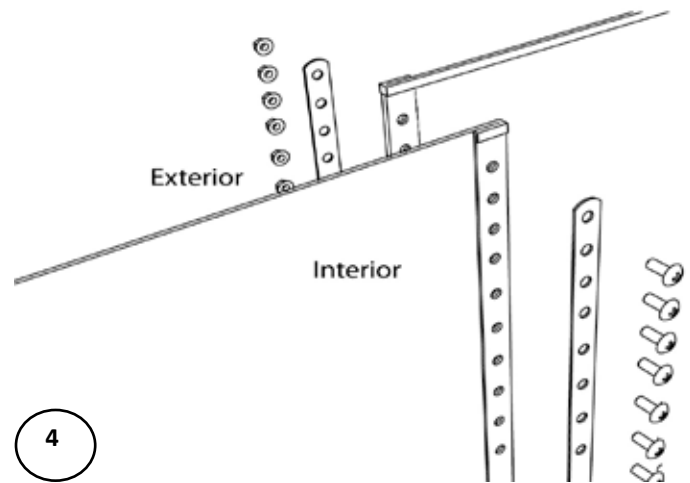
3) Your wall appears too long. **It is not.** However the space between the bottom rails must be increased by tapping the bottom plates lightly towards the outside of the pool or by tapping the wall with both hands in the desired direction. *(Image 6)*

You **MUST** recheck the gaps at each and every one of the bottom rails so that they are all equal in gap size.

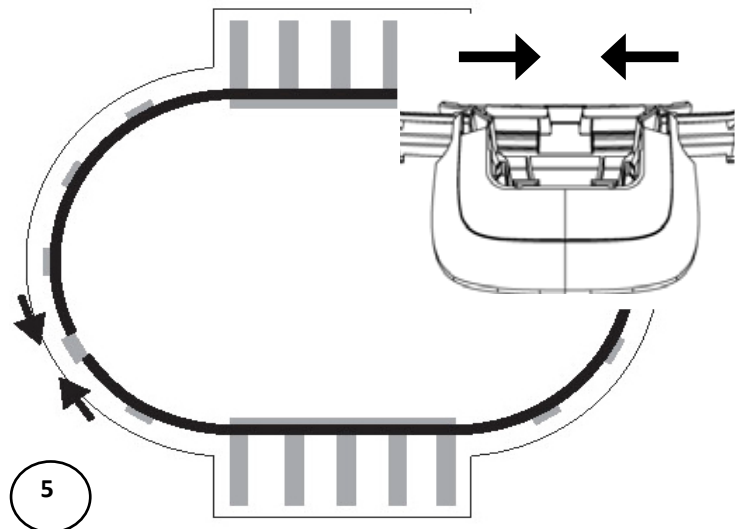
**⚠ Important Note:**  
Bottom rails must always be held in place in the bottom plate.

**⚠ Important Note:**  
You **MUST** recheck the gaps at each and every one of the bottom rails so that they are all equal in gap size.

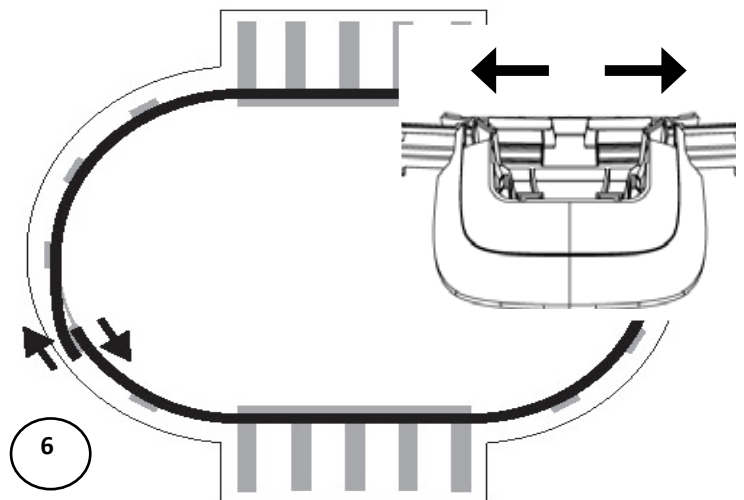
- c. Recheck the position of the upright, refer to your pool's footprint diagram.



4



5



6

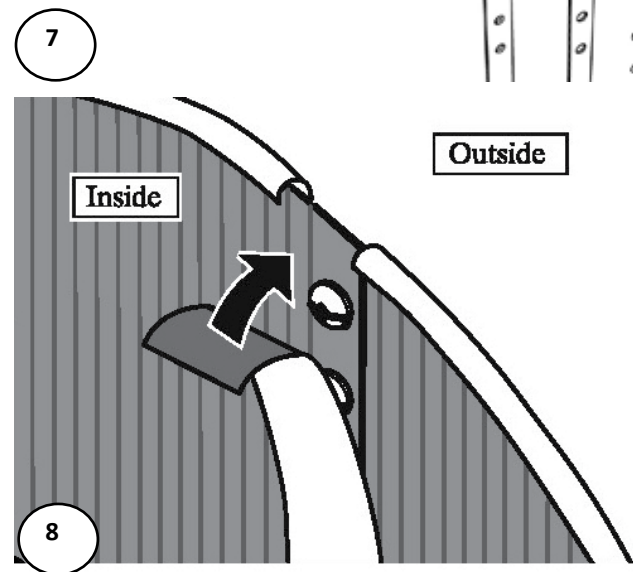
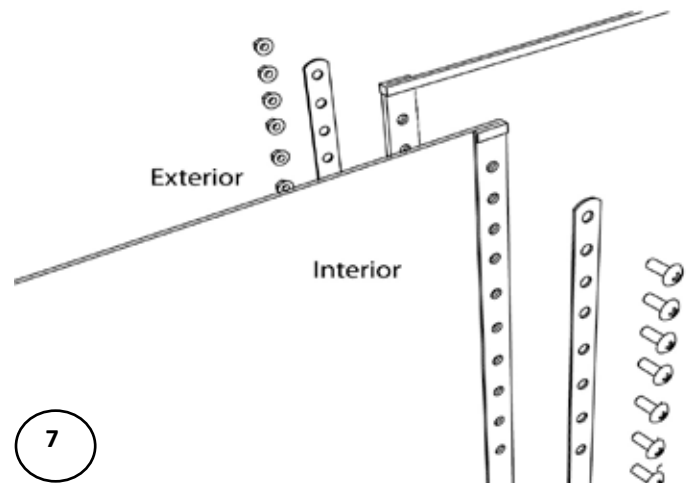
## Section 3

# GENERAL INSTRUCTIONS - YARDMORE OVAL POOLS ASSEMBLING THE POOL WALL

## A. CONT. SETTING UP THE POOL WALL

- d. To fasten the wall joint, overlap the two steel bars, one on the inside and the other on the outside. Tighten the mechanical screws on the inside and the nuts on the outside. Ensure that all bolts and all the holes are used. *(Image 7)*

**Important Note:**  
Stick a screwdriver through two of the holes to help line up the ends of the wall.



When tightening the screws start from either the top and go down or vice versa. Do not start a few screws from top and a few from the bottom to meet in the middle, this can cause problems later on.

- e. Adjusting the pool to the proper shape may cause the bottom rails and bottom plates to slip out of alignment a little. Recheck all of the bottom plates to make sure each one is centred where the bottom rails meet.
- f. Cover the seam and bolt heads on the inside/interior of the pool wall completely with 2" (50mm) duct tape. *(Image 8)*
- g. Lay a 3" thick bed of sand across the entire inside of the pool (wall-to-wall). This will form your base. *(Image 9)*

**Important Note:**  
The pool must be level across the perimeter. A pool that is not level is dangerous and may collapse.



## Section 3

# GENERAL INSTRUCTIONS - YARDMORE OVAL POOLS ASSEMBLING THE POOL WALL

## B. STAINLESS STEEL PANEL

This stainless steel service panel includes a Thru-wall skimmer cut out and water return hole. The stainless steel service panel is joined to the pool wall at each end. Please follow these instructions when you're installing your stainless steel service panel.

### Important Note:

**The wall joints are a very important part of the structure of the pool. Do not deviate from these instructions or use any substitute materials or hardware because the warranty of the pool may be affected. All screws and nuts must be as tight as possible using hand tools. If you are missing any hardware, do not leave empty holes in the wall joint assembly. Doing so can cause your pool to break. Contact your pool dealer for additional hardware in the case of a shortage**

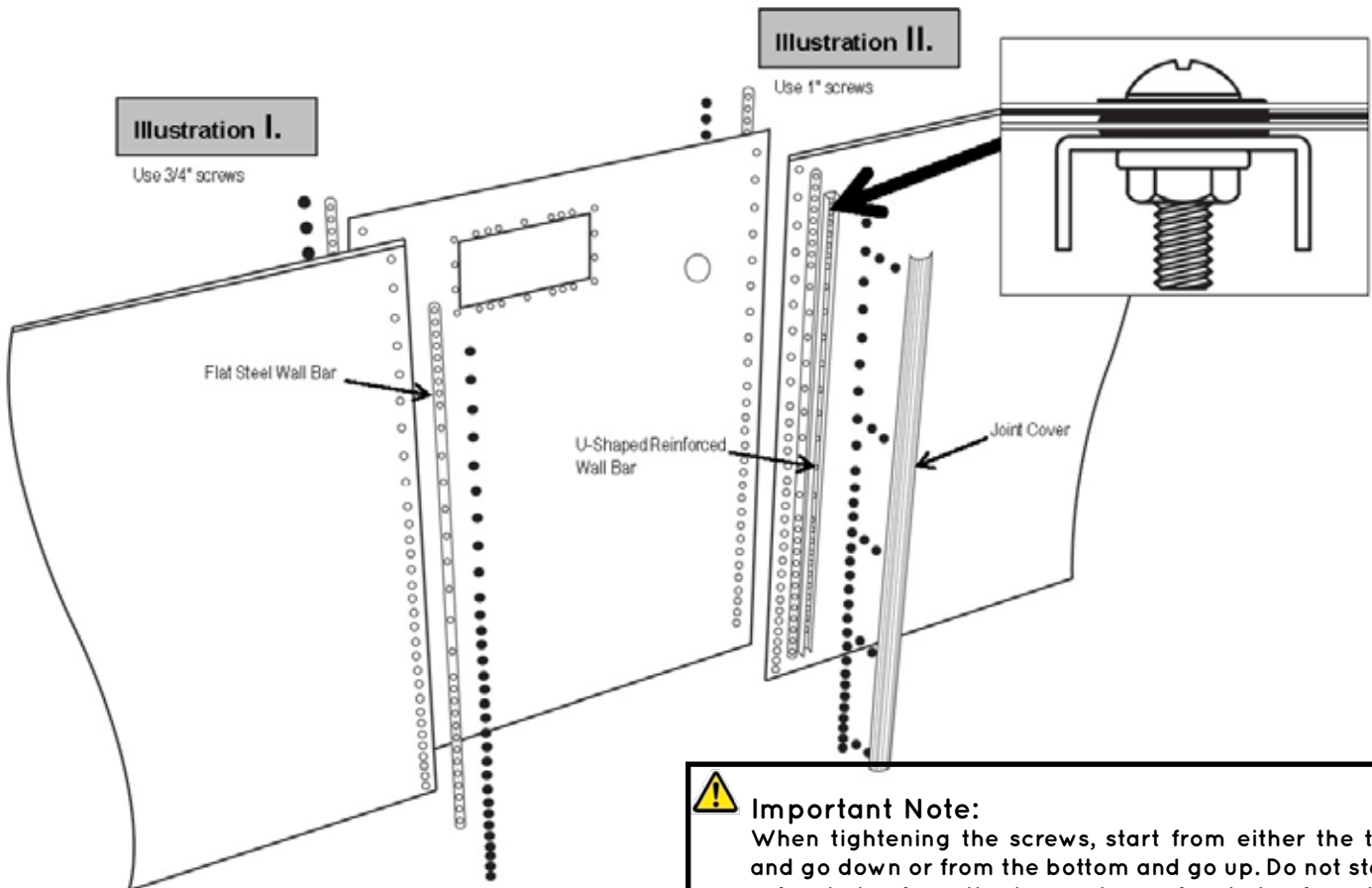
- A. Determine the desired location for your filter system and the best position for the Thru-wall skimmer cut out and water return hole. On oval pools, the service panel must be located at one of the curved ends of the pool, not on the straight side.
- B. Unroll the pool wall as shown in your installation manual (or DVD). Remember, insert the wall into the bottom track, starting from the center of the bottom joiner plate that is the nearest to the desired location of your stainless steel service panel and your filter system.
- C. Once the wall is completely unrolled, the stainless steel service panel must be installed from the inside of the pool wall (with the skimmer cut out on the left and the water return hole on the right - as seen from the outside of the pool wall).

## Section 3

# GENERAL INSTRUCTIONS - YARDMORE OVAL POOLS ASSEMBLING THE POOL WALL

## B. CONT. STAINLESS STEEL PANEL

- D. Align the holes at the ends of the pool wall with the stainless steel service panel. (ref. Illustration 1)
- I. Fasten the wall joint that is in the center of the bottom joiner plate by overlapping the two steel flat wall bars, one on the inside of the pool wall (the screws will touch this bar) and the other on the outside of the pool wall (the nuts will touch this bar). This wall joint will be hidden once the pool uprights are installed. Use the 3/4" length screws supplied (shorter screws) when installing this wall joint. Insert the screws with the bolt head to the inside of the wall and the nuts to the outside of the wall. Do not tighten until all of the screws and nuts have been attached. Once the screws and nuts are securely tighten you must cover the screw heads on the inside of the pool wall with three layers of duct tape. **Reference Illustration I.**
- II. Fasten the other wall joint that is between the two bottom joiner plates by first overlapping one flat steel wall bar on the inside of the pool wall. Second, place the other flat steel wall bar on the outside of the wall along with the U-shaped reinforced wall bar directly on top of the flat steel wall bar **Reference Illustration II** (flat side of U-shaped reinforced wall bar against the flat steel wall bar, legs facing outwards). **Start the U-shaped reinforced wall bar at the third hole from the bottom. Reference Illustration III.** Use the 1" screws supplied (longer screws) when installing this wall joint. Insert the screws with the screw head to the inside of the wall and the nuts to the outside of the wall. Do not tighten until all of the screws and nuts have been attached. Once the screws and nuts are securely tightened you must cover the screw heads on the inside of the pool wall with three layers of duct tape.



### Important Note:

When tightening the screws, start from either the top and go down or from the bottom and go up. Do not start a few holes from the top and or a few holes from the bottom to meet in the middle.



Section  
3

GENERAL INSTRUCTIONS - YARDMORE OVAL POOLS  
ASSEMBLING THE POOL WALL

B. CONT. STAINLESS STEEL PANEL

Start the U-Shaped reinforced wall bar at the third hole from the bottom for 52"/54" high walls.

- E. Since one side of the stainless steel service panel will not be hidden behind an upright, a joint cover can be installed. Starting at the second bolt from the bottom of the exposed wall joint, place one of the supplied washers and a 2nd nut (as shown in illustration III) and tighten to the 1" screw. Repeat this operation in four places evenly spaced up the joint.
- F. Slide the joint cover down over the washer so that the locking forks are engaged over the washer as shown below. (Illustration IV & V)

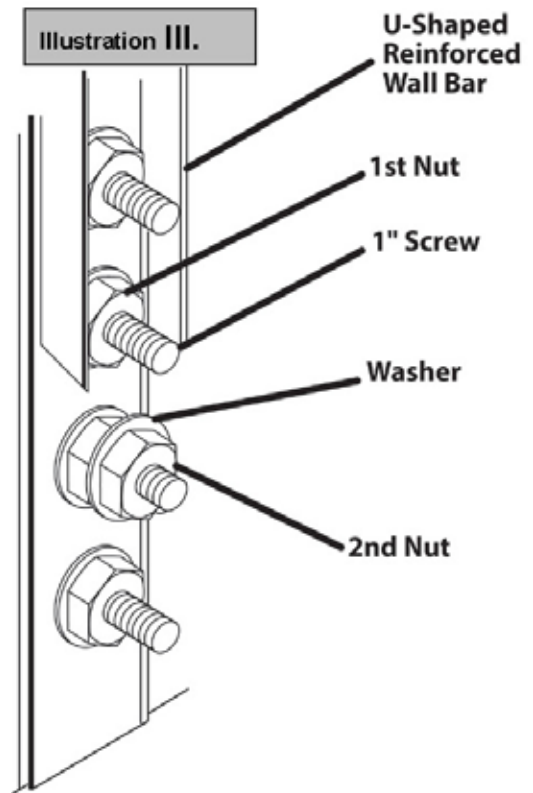


Illustration IV.

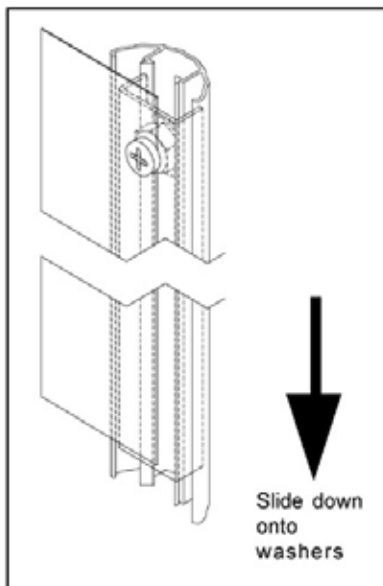
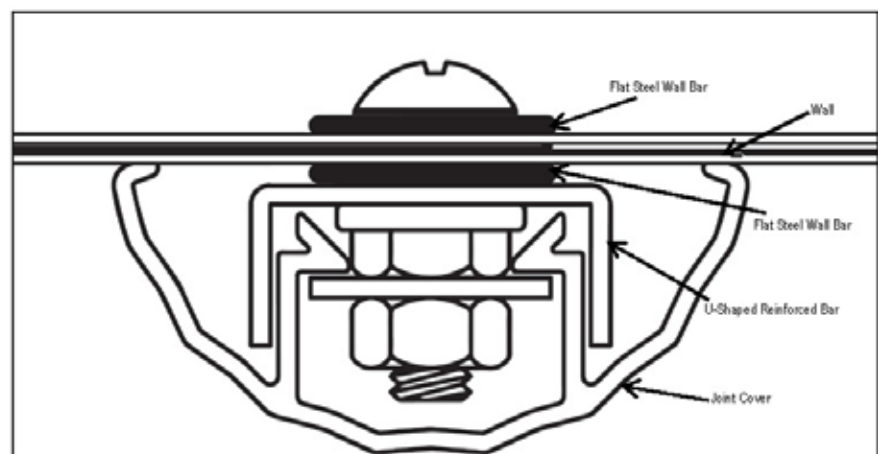


Illustration V.



## Section 3

# GENERAL INSTRUCTIONS - YARDMORE OVAL POOLS ASSEMBLING THE POOL WALL

## C. ASSEMBLING THE COVE

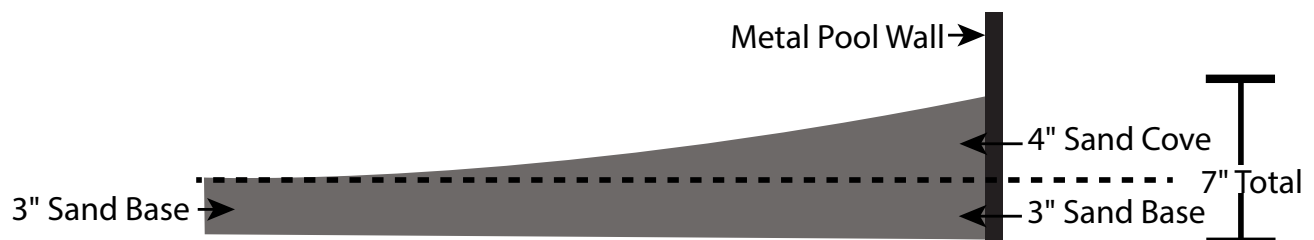
### 1. Make the cove

- Build a sand cove against the pool wall by creating a 4" angle of sand (on top of the 3" sand base) giving you a total sand cove height of 7 inches where the base meets the metal pool wall. This will prevent the liner from creeping under the wall, and it will also protect the liner from any metal edges of the pool framework. **THIS STEP IS NOT OPTIONAL, IT MUST BE DONE.**
- Water the sand to compact it and use a trowel to spread it evenly. **(Image 10)**
- Since earth containing chemicals can cause discoloration or corrosion, it is suggested that you place **polyethylene plastic sheeting** under the cove around the perimeter of the wall, so no earth comes in contact with the metal. Since the presence of such chemicals is beyond the control of the manufacturer, such damage is not covered under warranty.



### Important Note:

The cove is an important part of the pool structure. Take your time to make a complete, full-size cove.



**IMPORTANT:** If using foam cove, install it on top of the 3" sand base.

- Proceed to your liner instructions and after liner installation proceed to Section 4-Installing the pool frame.



# **IMPORTANT INFORMATION ABOUT YOUR LINER**

We do not make or supply liners for our pools.

Please contact your liner's manufacturer with questions or if instructions are not included with the liner.

Liner must be installed per the liner manufacturer's instructions.

Incorrect liner installation may void the warranty.

## Section 4

# GENERAL INSTRUCTIONS - YARDMORE OVAL POOLS ASSEMBLING THE POOL FRAME

## A. INSTALLATION OF THE UPRIGHTS - Round Section

### 1. Install the uprights

- a. The wall joint is hidden behind the upright on most pools. This assures that the skimmer and skimmer return holes are not obstructed.
- b. Insert the bottom of the upright into the bottom plate until the hooks snap. **(Image 1)**



#### Important Note:

Use the ridges in the pool wall to make sure the upright column is straight up and down.



#### Important Note:

Ensure to leave a gap between the two bottom rails.

#### See Diagram:

Please refer to your pool's footprint (Section 1, last page) for gap measurement.

## Section 4

# GENERAL INSTRUCTIONS - YARDMORE OVAL POOLS ASSEMBLING THE POOL FRAME

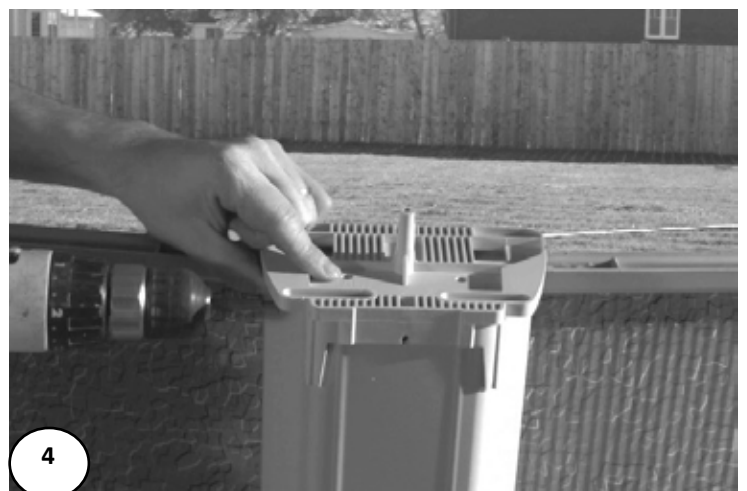
## B. INSTALLATION OF TOP LEDGES AND LEDGE COVERS

### 1. Install stabilizers

- a. Install the stabilizers on the wall while ensuring to leave a gap between each end. *(Image 2)*

### 2. Install top plates and top ledges - Round Section

- a. Install the top plate on the upright and secure with three screws (3x V12x34). *(Images 3 & 4)*
- b. Insert partially with 3/4 inch screws (2PPS121) on top. Evenly distribute the space between the top ledges to center them between the uprights.



 **Important Note:**  
Ensure to leave a gap between the two stabilizers.


**See Diagram:**  
Please refer to your pool's footprint (Section 1, last page)  
for gap measurement.

## Section 4

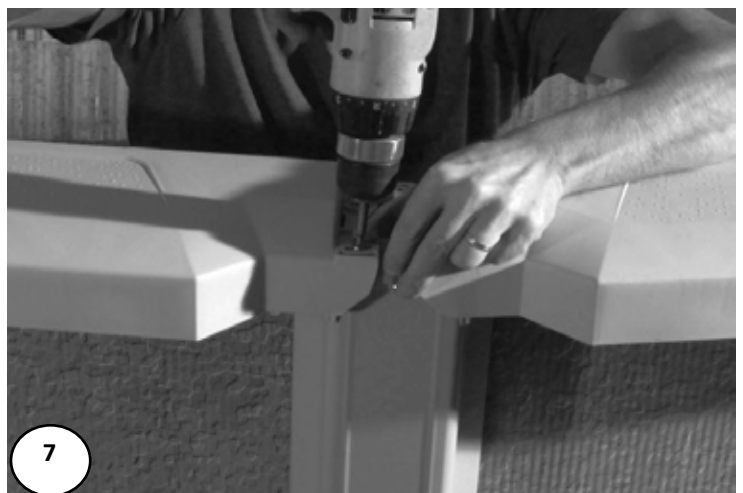
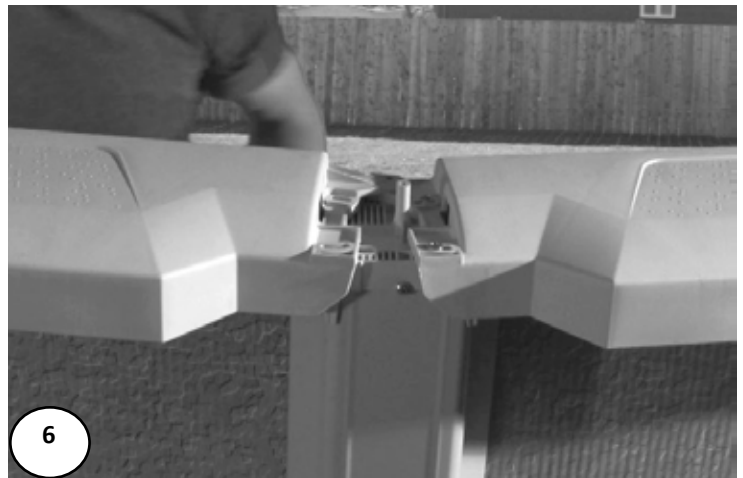
# GENERAL INSTRUCTIONS - YARDMORE OVAL POOLS ASSEMBLING THE POOL FRAME

## B. CONT. INSTALLATION OF TOP LEDGES AND LEDGE COVERS

- c. Place yourself behind the upright and install the top ledge to right, then place another top ledge on your left. Evenly distribute space between the top ledges to center them between the uprights. There is a tab on the left top ledge that leans on the right top ledge. Attach screws lightly. *(Images 5 & 6)*

 **Important Note:**  
We suggest that you install all the top ledges on the wall before attaching them.

- d. Partially insert the 1 inch screws (2PPS121) on top.
- e. Make sure to level the two axes of the uprights by pushing slightly inwards before tightening the screws permanently. *(Image 7)*



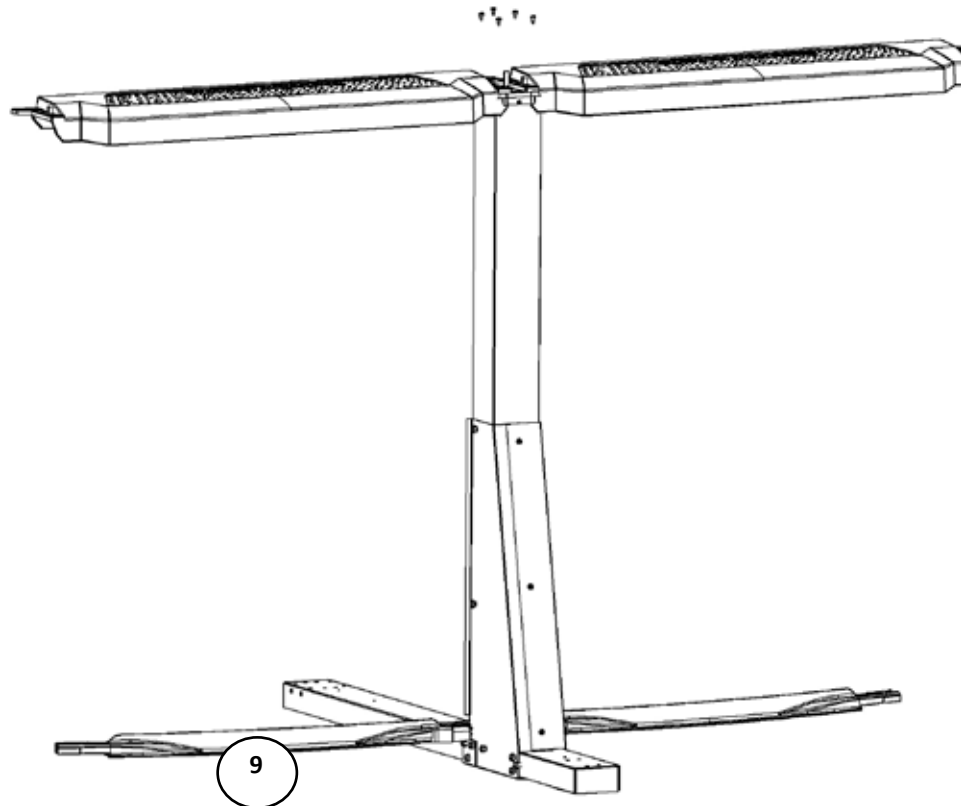
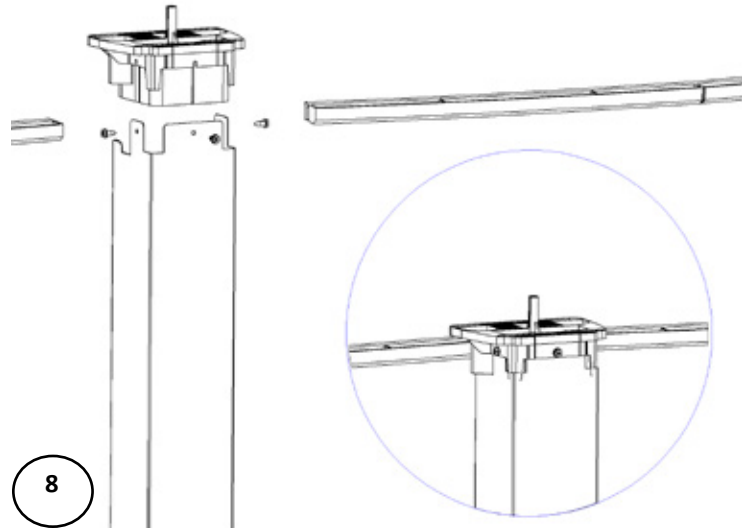
Section  
4

## GENERAL INSTRUCTIONS - YARDMORE OVAL POOLS ASSEMBLING THE POOL FRAME

### B. CONT. INSTALLATION OF TOP LEDGES AND LEDGE COVERS

#### 3. Install top plates & top ledges - Straight Section

- a. Secure top plates in the straight section with screws #10-1/2" screws (99-0068). **(Image 8)**
- b. Evenly distribute space between the top ledges to center them between the uprights. Attach top ledges. **(Image 9)**



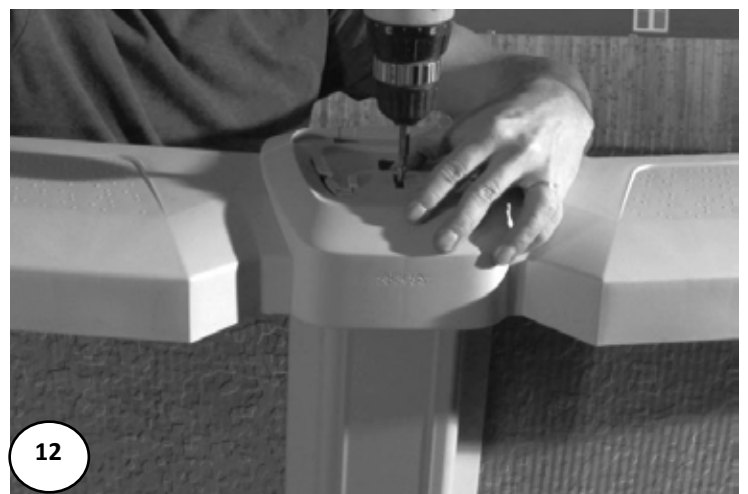
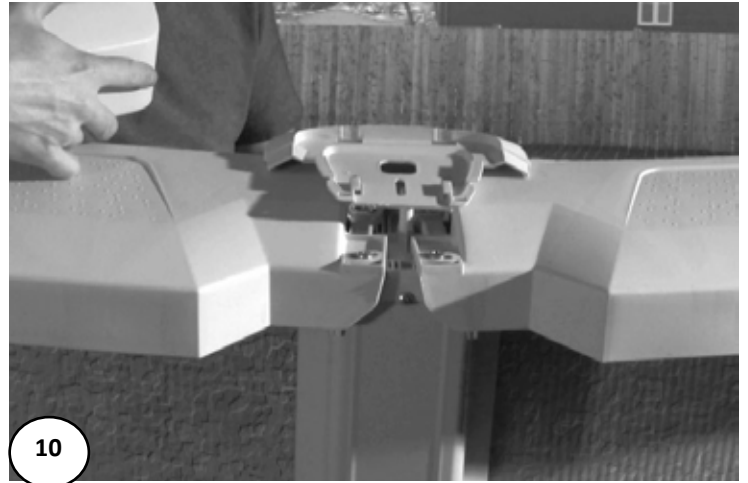
## Section 4

# GENERAL INSTRUCTIONS - YARDMORE OVAL POOLS ASSEMBLING THE POOL FRAME

## B. CONT. INSTALLATION OF TOP LEDGES AND LEDGE COVERS

### 4. Install the ledge covers

- Insert the rear part of the ledge cover on the top of the upright. **(Image 10)**
- Slide the front part of the ledge cover into the grooves of the rear part of the ledge cover. **(Image 11)**
- When everything is in place, insert a screw (V12x34) in the hole on the top of the front of the ledge cover. **(Image 12)**
- Place and press firmly the cover. **(Image 13)**





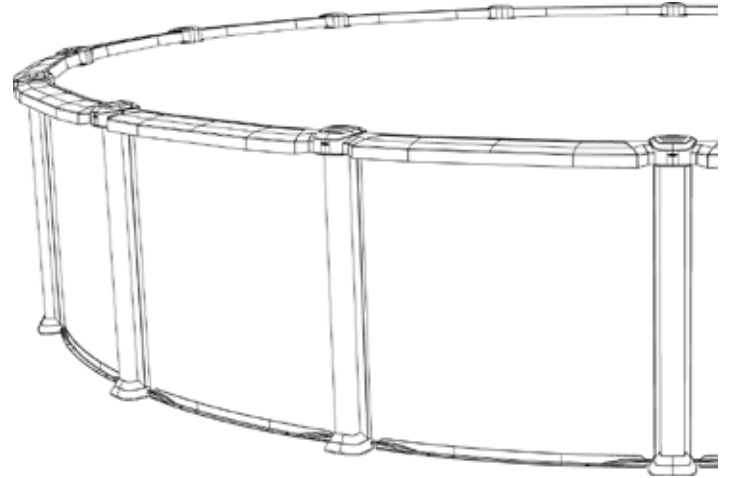
## Section 4

# GENERAL INSTRUCTIONS - YARDMORE OVAL POOLS ASSEMBLING THE POOL FRAME

## C. FILL YOUR POOL WITH WATER

### 1. Finish filling the pool

- a. Fill the pool with water to 2" (5cm) below the lowest opening. Make sure you remove any creases from the liner in the bottom of the pool before the water level gets too high.
- b. While the pool is filling, remove the nails that were holding the bottom rails in place.
- c. Your pool is now installed. You must now install the filter and pump, the skimmer and water return inlet. Please follow the installation instructions that come with these products.



### **IMPORTANT:**

Make sure that your pool is round, do not assume that by filling up the pool that this will help the pool to place itself into a perfect round circle. Ensure that it is round before filling up the pool with water.

### **IMPORTANT SAFETY INFORMATION:**

Please refer to the safety page at the beginning of this instruction manual. You must follow the rules and information regarding placement of safety stickers on your pool.

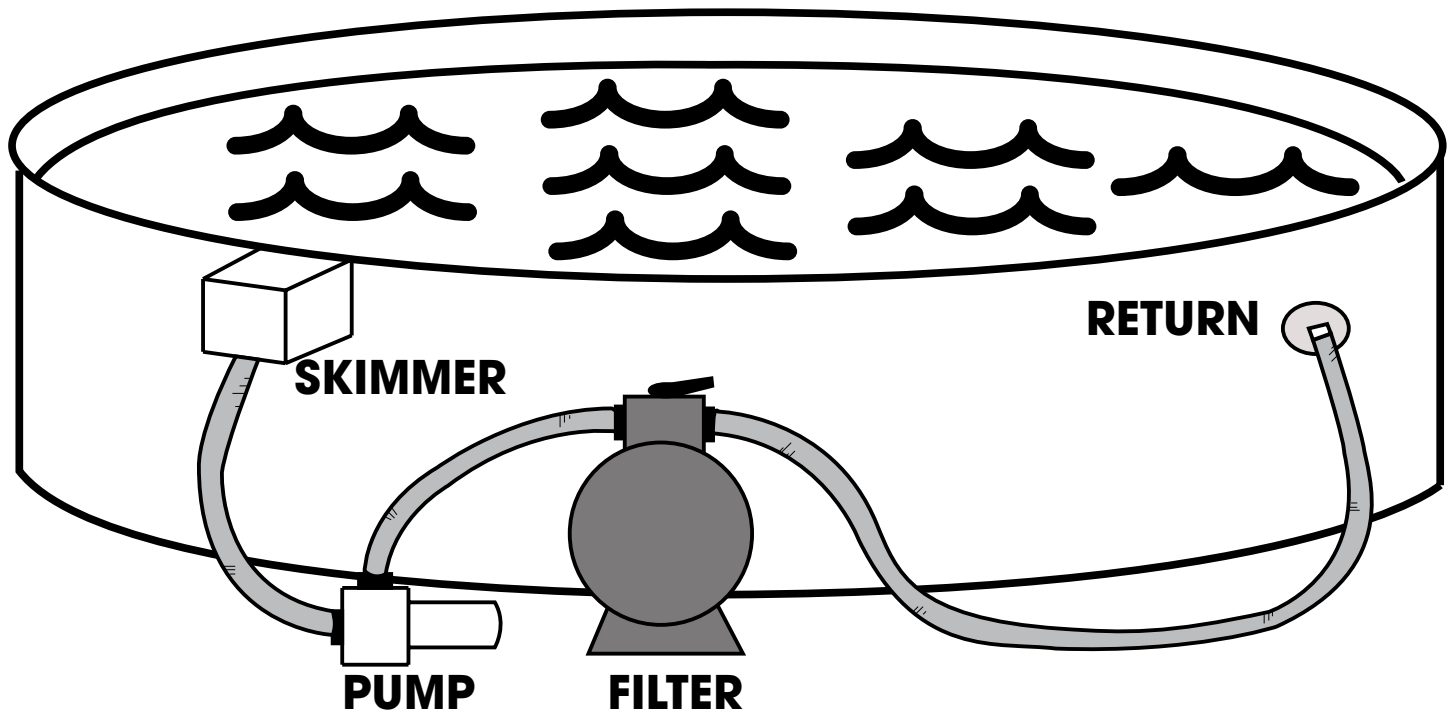
Section  
4

**GENERAL INSTRUCTIONS - YARDMORE OVAL POOLS**  
**ASSEMBLING THE POOL FRAME**

**D. BASIC FLOW OF SYSTEM**

**1. How the system flow should look like**

- a. When assembled your pool should have a basic flow system as in this image, **PLEASE CONTACT YOUR DEALER** for more specific instructions.



Section  
5

## POOL MAINTENANCE MAINTAINING YOUR POOL

### POOL MAINTENANCE

Keep your pool wall and frame clean. Always wash away any deposits of pool chemicals which land on the frame of your pool. Wash periodically with a mild soap solution (no abrasives). At least once a year use a clear non-yellowing household wax on all metal components.

Your pool and liner must be inspected regularly for leaks, corrosion, scratches, and punctures. If any problem is found **IMMEDIATE CORRECTIVE ACTION MUST BE TAKEN**. Small repairs and punctures in your liner may be easily repaired using repair kits available at your local dealer. Scratches on your pool wall & frame must be touched up with anti-rust enamel. Wire brush all rust and add a coat of enamel primer followed by a coat of color matching paint. Pool water is full of various caustic chemicals, which will corrode metal parts. If any corrosion is allowed to continue, failure of the pool structure may occur which could result in excessive property damage as well as bodily harm.

The skimmer & return area and below it are particular areas that must be carefully and regularly inspected. If this area is wet, and remains wet for any length of time, it usually means there is a small leak. Skimmer/skimmer return gaskets must be replaced when they become defective. Water must not be permitted to continually run down the wall, if neglected pool will break. If proper skimmer/skimmer return gasket care is not maintained, your warranty will be void!



**Important Note:**

Be sure to follow all local and state safety regulations when installing any accessory to your pool. Any decks, and all entries, must be carefully monitored for safety and access to pool. Installing any other manufacturer's deck or slide is strictly forbidden!

## POOL MAINTENANCE WINTERIZING YOUR POOL

### WINTERIZING YOUR POOL

Along with the cool nights of autumn comes the end of the swimming season. During the winter your pool is subject to more stress than in the summer, and any breakage that is caused by incorrect winter procedures is not subject to any warranty with this company.

All of our pools are designed to be left up all winter, but nonetheless are subject to the warranty that was purchased. Continue to chlorinate and filter until the pool is closed down. If you follow our recommendations, you will be able to winterize your pool properly in a few hours.

Properly winterizing your pool will protect it from damage and make it easier for you to reopen it when spring arrives.

The key to fast and easy winterization lies in regular treatment of the water until the start of the cold season, even if you haven't been using the pool.

Routine maintenance becomes easier and less frequent as the water gets cooler. In order to keep the water clean and clear and to prevent the liner from staining, we recommend closing your pool as late as possible, i.e. toward the end of September when the water temperature is about 10°C (50°F).

Waiting until you have finished closing the pool before shutting off the filtration system will prevent hoses still connected from freezing.

Follow the instructions on the following pages or contact your retailer for further information to ensure that you are protecting your pool properly.



## Section 5

# POOL MAINTENANCE WINTERIZING YOUR POOL

## CLOSING YOUR ABOVE GROUND POOL FOR THE WINTER

At the end of the season, you must follow these directions to make your pool ready for the winter. For areas where water freezes make sure to follow these instructions before the water is frozen, otherwise do not touch the frozen water, this may damage the pool.

### STEP 1) PRIOR TO CLOSING

- a. Several days prior to closing your pool, test the water for the ph level, total alkalinity, and chloring. The water balance is important to protect the pool from corrosion or scale build-up during winter shut down.

### STEP 2) PERFORM A COMPLETE INSPECTION

#### FINDING LEAKS

- a. Towards the end of the summer season or around mid-August, check for leaks by verifying if the pool's water level is stable. Draw a line on the liner marking the water level and wait 10 days. If after 10 days the level has dropped, then there is a leak. It is important to seal off any leaks you find. Leaks left unsealed when freezing begins can seriously damage your pool and even cause it to collapse.
- b. Vacuum carefully to remove all leaves and debris.

#### CHECK THE LINER

- a. Make sure the top of the liner is still attached to the pool wall. make sure there are no leaks. Repair any liner holes with a vinyl patch: any small punctures in the liner can be easily repaired with underwater repair kits available at your local retailer. Do not remove the liner from the pool, as removal of the liner will void the existing warranty.

#### CHECK ALL JOINTS AND SCREWS

- a. Make sure all the fram joints are fitting together properly and make sure the pool wall has not shifted from the bottom rail. Ensure all screws and bolts are tight.

#### CHECK FOR RUST

- a. Periodically inspect the metal parts for any corrosion-especially around the skimmer area. If corrosion is found, immediate corrective action must be taken. Wire brush any rust and add a coat of enamel primer followed by a coat of color matching anti-rust enamel paint. Pool structure failure could result in major property damage and bodily harm. Paint any scratches with anti-rust paint.

## Section 5

# POOL MAINTENANCE WINTERIZING YOUR POOL

### CLOSING YOUR ABOVE GROUND POOL FOR THE WINTER CONTINUED

#### STEP 3) ADD CLOSING CHEMICALS

- a. To maintain water quality, use a winter kit which contains an algicide and chlorine especially designed for this purpose. When it's time for spring cleaning, this will save you hours of work and reduce the cost of chemicals needed to restore your water quality.
- b. If your pool has a bottom drain, you will have to use pool antifreeze to prevent it from freezing during the winter. Unscrew the hose from the base of the skimmer and attach an extension. Pass the extension over the wall of the pool, making sure it remains well attached. Pour antifreeze into the extension. Leave the valve open so that water can drain from the skimmer.

#### STEP 4) LOWER THE WATER LEVEL

- a. Lower the water level so as to leave between 6 to 20 inches (15cm to 50cm) below the water return. You may plug the return jet hole at this time. **\*\*IMPORTANT\*\*DO NOT PLUG THE SKIMMER DRAIN HOLE** (located at the base of the skimmer). Remove all hoses attached to the skimmer and return fittings. Do not let water freeze in the skimmer. Leave the skimmer attached to the pool wall and ensure that the skimmer lid is installed. **DO NOT DRAIN ALL THE WATER OUT OF THE POOL.**
- b. Depending on your area and if the freezing point is more aggressive, for example 50% is frozen into ice, we strongly suggest to lowering the water to lowest point. Depending on how great the deep freeze in your area **we suggest you consult with your local dealer about procedures on lowering the water level throughout the winter.** We also suggest throughout the autumn season to continually check this level before freezing season starts, as it must not reach the skimmer holes at any time during the winter. Remove any snow which may accumulate on the top ledge.

#### STEP 5) FILTER PREPARATION

- a. Disconnect the hoses from the filter. Remove and store the filter, ladder and all other removable parts from around the pool. The filter should be clear of any foreign objects and water should be removed from the filter and pump. See the manufacturer's instructions. Store the pump in a temperature controlled environment (so that it is not damaged by changes in temperature).

#### STEP 6) WINTER COVER

- a. For the winter cover we suggest to lower the water level to 1 inch (2.5cm) below the water return. In some areas your dealer may ask you to install it differently in order to protect the pool and the cover. Contact your local dealer to verify the correct procedure for your pool.
- b. If using a winter cover, make sure to place a ball underneath so that rainwater falls into the pool. An accumulation of too much water on the cover could place pressure on the pool, causing damage and invalidating the guarantee. Depending on how great the deep freeze in your area we suggest you consult with your local dealer about procedures on leaving the pool cover throughout the winter.

Section  
5

## POOL MAINTENANCE WINTERIZING YOUR POOL

### CLOSING YOUR ABOVE GROUND POOL FOR THE WINTER CONTINUED



#### IMPORTANT

Never let more than 30 cm (1') of snow accumulate on the pool wall; the wall is designed to support the lateral pressure of the pool water, not vertical pressure. With spring thaw, if water leaks from the skimmer or return outlet opening, place a tube at the opening so that the water will run off as far away from the basin of the pool as possible. PLEASE NOTE: Do not strike or hit a frozen pool. This would damage it. Do not disturb the pool till spring. If you have left the winter cover on the pool, make sure to remove accumulated snow after heavy snow falls.



#### Important Note:

Whatever the type of valve or extension hose used, you must follow the technique described in this document to close your pool, otherwise your guarantee may be cancelled. Make sure to use antifreeze designed for pools.



#### Important Note:

An unsealed leak may comprise or cancel the guarantee on your pool.  
Never leave water in any of the filtration system components due to the risk of damage during freezing.

## Section 5


# POOL MAINTENANCE SPRINGTIME CLEANING OF YOUR POOL

### PREPARING YOUR POOL IN THE SPRING

At the end of winter, allow the ice in the pool to thaw completely. When the temperature reaches approximately 10 °C (50 °F), you have to restart your filtration system, since algae and bacterial form more quickly as it gets warmer. Here is how to prepare your pool in a few simple easy steps.

- a. If your pool is equipped with a pool cover, remove the cover and cushion. Carefully remove with a hose any rainwater that has accumulated on the cover so it does not fall into your pool. Clean your cover and cushion and let them dry. Store them in a dry clean place.
- b. Attach the return inlet and skimmer to the filter. Bring the water level up to the middle of the skimmer. Get your filter working. Clean the bottom of the pool with the vacuum, taking care to place the filter in the “waste/drain” position. In this way you will eliminate particles of dirt without disturbing the sand in the filter, and will considerably reduce the need for “backwash rinsing” of the filter.
- c. Now that you have purified the water, you have to test it. It is very important that the pH level of your pool be between 7.6 and 7.8 and the pool’s alkaline content be between 80 ppm and 130 ppm. If you are unable to attain these levels, please contact your retailer who will gladly do these tests for you.



 **Important Note:**  
Do not drain your pool to clean the water unless absolutely necessary (the water is recyclable). If you do empty your pool, don't leave it empty for too long or expose it to direct sunlight, as the liner may shrink.



**Section  
5**

**POOL MAINTENANCE  
SPRINGTIME CLEANING OF YOUR POOL**

**PREPARING YOUR POOL IN THE SPRING CONTINUED**

- d. When the pH and alkaline levels are ideal, apply a shock-treatment or chlorinate your water. Let it filter for 24 hours and again verify both the pH and free chlorine levels.  
NOTE: Add chemical products to your pool after sunset, as sunlight rapidly destroys chlorine.
  
- e. Let it filter for several days until the water is clear and the pH and free chlorine levels have stabilized. Add a conditioner/stabilizer by carefully following the manufacturer's instructions. This will stop the chlorine from evaporating quickly in sunlight. Add the quantity of algicide required to prevent algae.
  
- f. You may now begin regular maintenance of your pool. Don't forget to obtain a new set of solutions for your water analysis kit every spring. The old solutions may give false results.
  
- g. Make sure that the skimmer (screws and adapter) is properly in place and tighten the water return fittings to prevent leakage and premature rusting of the pool wall or the lower part of the bottom rail.

HAVE FUN!

**IF YOU FOLLOW THESE TIPS AND ASK YOUR DEALER FOR ANY OTHER ADVICE YOU MAY NEED, YOU WILL HAVE ALL THE INFORMATION NECESSARY TO GET YOUR POOL OPERATING AGAIN.**





Tuesday, May 12, 2020

Trendium Pool Products  
7050 St-Patrick  
Lasalle (Qué)  
H8N 1V2

Reference: **Aqualeader**

To whom it may concern:

We have analyzed the structural design of the **Aqualeader** above ground swimming pools, consisting of sheet metal walls for both round and oval configurations.

This letter certifies that the above mentioned pools are structurally adequate when installed strictly in accordance with the manufacturers written instructions.

This letter also certifies that the above mentioned pools comply with ANSI/APSP-4 2012 standards and the ISPSC 2018 code as they pertain to the manufacture of aboveground swimming pools.

Please contact us if you have any questions.



Sincerely,  
MPP Engineers, LLC

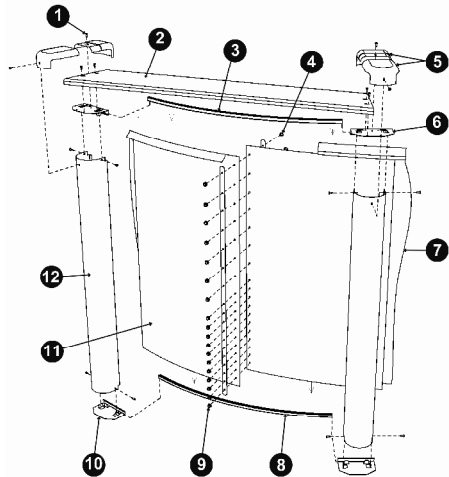
Ashutosh Patel, PE  
Principal  
NY PE Lic 080555

## Round



Round pools are up to 54" tall. They are available up to 33'.

1. Self tapping screw
2. Ledge
3. Top wall channel
4. Mechanical screw
5. Cover ledge
6. Top joiner plate
7. Liner
8. Bottom wall channel
9. Nut
10. Bottom joiner plate
11. Wall
12. Upright

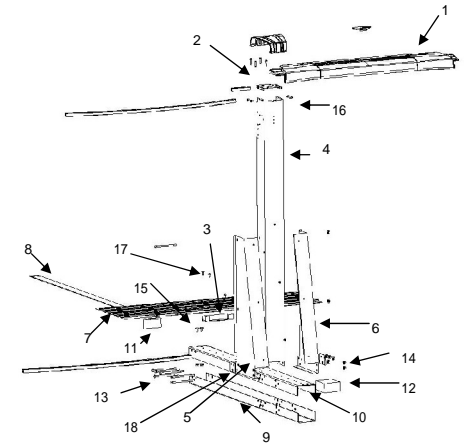


## Oval Contour



Oval pools are up to 54" tall. They are available up to 21' x 43'.

1. Top seat
2. Top plate
3. Bottom plate
4. Metal upright
5. Left gusset
6. Right gusset
7. Pressure plate
8. Strap
9. Under channel
10. Strap end channel
11. Channel end cap
12. Styrofoam block
13. Bolt 5" X 5/16-18 grd 8
14. Nut 5/16-18
15. Phillips screw 1/2" X 5/16 - 18
16. Hex Phillips screw 1/2" #10
17. Truss Phillips 3/4" #12
18. Washer 3 holes



Trendium Pool Products Inc. manufactures round and oval above-ground swimming pools. See installation instructions for complete details regarding pool and liner installation.

A complete report with all stress analysis and back-up calculations regarding the structure of the pool are available upon request.



## Engineers Approval





Site Planning	Environmental Studies
Civil Engineering	Entitlements
Landscape Architecture	Construction Services
Land Surveying	3D Visualization
Transportation Engineering	Laser Scanning

**TRANSMITTAL**

Date: **6/15/2021**

To: **Town of North Castle  
Residential Project Review Committee  
17 Bedford Road  
Armonk, NY 10504**

Job No.: **21058**  
Project: **Maldonado Residence  
44 Washington Avenue North  
Town of North Castle, NY**

Attn: **Mr. Adam R. Kaufman, AICP**

Enclosed please find :

<input checked="" type="checkbox"/> <b>B/W Print</b>	<input type="checkbox"/> Images	<input type="checkbox"/> Check	<input type="checkbox"/> Tracings
<input type="checkbox"/> 3.5" Disk	<input type="checkbox"/> Mylars	<input type="checkbox"/> Applications	<input type="checkbox"/> Shop Drawings

Description

Revision No./Date

**Enclosed please find the following item that I failed to send with yesterday's submission package. This is also for your review for the submission to the Residential Project Review Committee:**

**I. Ronald Persaud, L.S. Survey of 44 Washington Avenue North, Town of North Castle, NY**

**If you have any questions feel free to contact our office at (914) 273-5225.**

Sent Via:

Our Messenger     First Class Mail     **Electronically**     Fax:

Copy to: **Mr. Ray Maldonado, via email**

Sincerely,

**JMC**

*Amanda Mell-Taylor*

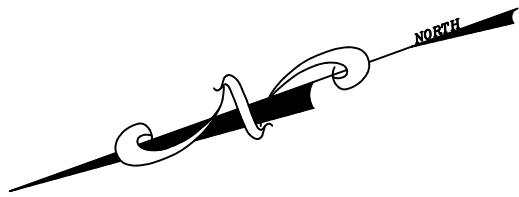
Per: **Amanda Mell-Taylor  
Administrative Assistant**

P:\2021\21058\ADMIN\trKaufman 06-15-2021.doc

Survey of plot situate in the Town of North Castle, County of Westchester and State of New York, shown as Lot No. 148 and Part of Lot No. 147, in Block 6 on a certain map entitled, "Map No. 2 of Washington Headquarters, Town of North Castle, County of Westchester, New York", and filed in the Office of the County Clerk of Westchester County, Division of Land Records, November 18, 1904 as Map No. 1430.

**RONALD PERSAUD, L.S.**  
**LAND SURVEYOR**  
 15 South Tenth Ave  
 MOUNT VERNON, N.Y. 10550  
 Tele : (914) 523-5808  
 Email: ronaldpersaud1510@gmail.com

Blk.3 Tax Lots 29 & 30: 10,785 sq.ft.(0.25Acre)



N/F P. DALY EST. S42°39'20"W 43.21'  
 S53°43'W 276.12'  
 291.47'

BLK. 6  
 TAX LOT 29 & 30

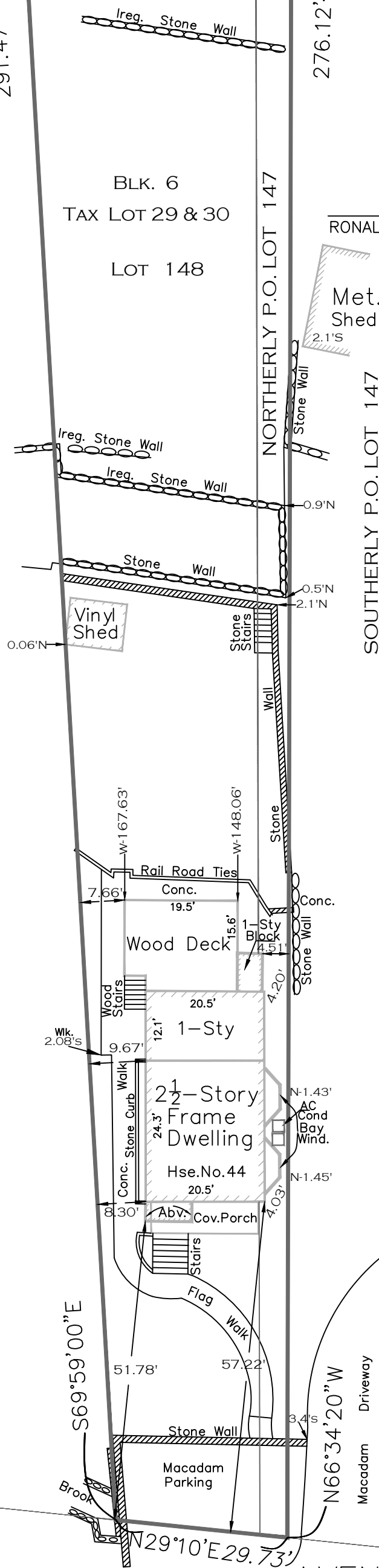
RONALD PERSAUD N.Y.S. LIC. No. 051087

LOT 149

LOT 148

NORTHERLY P.O. LOT 147

SOUTHERLY P.O. LOT 147



WASHINGTON PLACE

WASHINGTON

(50' Wide R.O.W.)  
 Macadam Roadway

AVENUE

Macadam Driveway

Unauthorized alteration or addition to this survey map is a violation of Section 7209 Subsection 2, of the New York State Education Law. No guarantee is implied by this map as to the existence or non-existence of any easements of record that would affect subject property, unless surveyor has been furnished a complete copy of the title report.

Dimensions shown from structures to property lines are not intended to be used for construction of fences, structures or other improvements.

"Surveyed As In Possession"

Surveyed: April 8, 2021

SCALE: 1" = 20'

Drafted: April 13, 2021

INDEX: COO-053