

**REVISIONS**

REV #	DATE	BY:
1	1/16/23	J.P.
2	2/1/23	J.P.
3	9/6/23	J.P.
4	11/8/23	J.P.



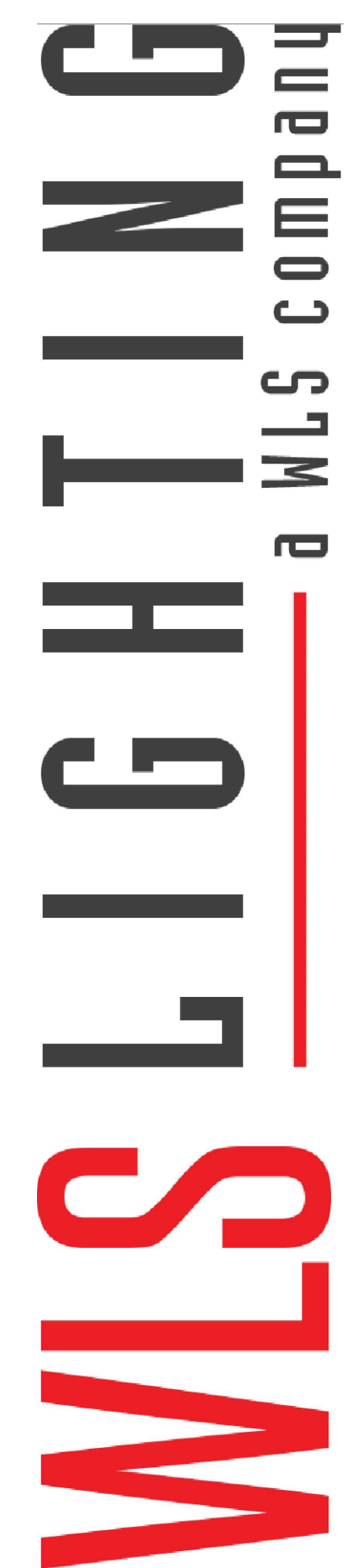
Calculation Summary								
Label	Units	Avg	Max	Min	Avg/Min	Max/Min	PtSpcLr	PtSpcTb
PARKING AND DRIVES	Fc	0.57	7.1	0.0	N.A.	N.A.	10	10
PROPERTY LINE @ 5' AG	Fc	0.00	0.3	0.0	N.A.	N.A.	10	N.A.

Luminaire Schedule								
Symbol	Qty	Label	Lum. Lumens	LLF	Description	Lum. Watts		
●	3	A	5084	0.950	WLS-LXL-PT-5W-LED-05L-40-SLW 12' POLE	39.2		
●	7	B	5054	0.950	WLS-LXL-PT-FT-LED-05L-40-SLW 12' POLE	39.2		
●	16	C	5046	0.980	WLS-LXL-PT-2-LED-05L-40-SLW 12' POLE	39.2		
●	3	D	12044	0.980	WLS-CLXM-LED-18L-SIL-FT-40-70CRI-IL-SLW 20' MOUNTING HEIGHT	148.5		
●	1	E	13765	0.950	WLS-CLXM-LED-18L-SIL-3-40-70CRI-IL-SLW 20' MOUNTING HEIGHT	148.5		

BASED ON THE INFORMATION PROVIDED, ALL DIMENSIONS AND LUMINAIRE LOCATIONS SHOWN REPRESENT RECOMMENDED POSITIONS. THE ENGINEER AND/OR ARCHITECT MUST DETERMINE APPLICABILITY OF THE LAYOUT TO EXISTING OR FUTURE FIELD CONDITIONS.

THIS LIGHTING PATTERN REPRESENTS ILLUMINATION LEVELS CALCULATED FROM LABORATORY DATA TAKEN UNDER CONTROLLED CONDITIONS UTILIZING CURRENT INDUSTRY STANDARD LAMP RATINGS IN ACCORDANCE WITH ILLUMINATING ENGINEERING SOCIETY APPROVED METHODS. ACTUAL PERFORMANCE OF ANY MANUFACTURER'S LUMINAIRE MAY VARY DUE TO VARIATION IN ELECTRICAL VOLTAGE, TOLERANCE IN LAMPS AND OTHER VARIABLE FIELD CONDITIONS.

**AIRPORT CAMPUS  
NORTH CASTLE, NY**



6820 CORPORATION PKWY  
FORT WORTH, TX 76126  
WWW.WSLIGHTING.COM



**REVISIONS**

REV #	DATE	BY:
1	1/16/23	J.P.
2	2/1/23	J.P.
3	9/6/23	J.P.
4	11/8/23	J.P.



BASED ON THE INFORMATION PROVIDED, ALL DIMENSIONS AND LUMINAIRE LOCATIONS SHOWN REPRESENT RECOMMENDED POSITIONS. THE ENGINEER AND/OR ARCHITECT MUST DETERMINE APPLICABILITY OF THE LAYOUT TO EXISTING OR FUTURE FIELD CONDITIONS.

THIS LIGHTING PATTERN REPRESENTS ILLUMINATION LEVELS CALCULATED FROM LABORATORY DATA TAKEN UNDER CONTROLLED CONDITIONS UTILIZING CURRENT INDUSTRY STANDARD LAMP RATINGS IN ACCORDANCE WITH ILLUMINATING ENGINEERING SOCIETY APPROVED METHODS. ACTUAL PERFORMANCE OF ANY MANUFACTURER'S LUMINAIRE MAY VARY DUE TO VARIATION IN ELECTRICAL VOLTAGE, TOLERANCE IN LAMPS AND OTHER VARIABLE FIELD CONDITIONS.

6820 CORPORATION PKWY  
FORT WORTH, TX 76126  
WWW.WLSLIGHTING.COM

**WLS LIGHTING**  
a WLS company

**AIRPORT CAMPUS  
NORTH CASTLE, NY**

WLS-17145

DATE -9/1/22

SCALE: 1"=40'

800-633-8711

PM:HOLLY

BY: J.P.

SHEET 2 OF 3



# REVISIONS

REV #	DATE	BY:
1	1/16/23	J.P.
2	2/1/23	J.P.
3	9/6/23	J.P.
4	11/8/23	J.P.



Type:

## CLXM SERIES LED AREA



**DIMENSIONS**



Made in the U.S.A. of the U.S. and imported parts. Meets Buy American requirements for ARRA.

**WLS LIGHTING SYSTEMS**

1919 Windsor Place  
Fort Worth, TX 76110  
800.633.8711  
www.wslighting.com

**SPECIFICATIONS**

**Optical System**

- State-of-the-Art one piece silicone optic sheet delivers industry leading optical control with an integrated gasket to provide IP66 rated sealed optical chamber in 1 component.
- Proprietary silicone refractor optics provide exceptional coverage and uniformity in IES Types 2, 3, 5W, FT, FA and AM.
- Silicone optical material does not yellow or crack with age and provides a maximum light transmittance of 93%.
- Zero-uglight.
- Available in 5000K, 4000K and 3000K color temperatures per ANSI C78.377. Also available in Phosphor Converted Amber with Peak Intensity at 610nm.
- Minimum CRI of 70.
- Integral Louver (LL) option available for improved back-light control without sacrificing street side performance.

**Electrical**

- High-performance driver features over-voltage, under-voltage, short-circuit and over temperature protection.
- 0-10V dimming (10% - 100% standard).
- Standard Universal Voltage (120-277 VAC) Input 50/60 Hz or optional High Voltage (347-480 Vac).
- L80 Calculated Life > 100K Hours
- Total harmonic distortion < 20%
- Operating temperature: -40°C to +50°C (-40°F to +122°F), 42L and 48L lumen packages rated to +40°C
- Power factor > .90
- Input power stays constant over life.
- Field replaceable 10kV surge protection device meets a minimum Category C Low operation (per ANSI/IEEE C62.41.2).
- High-efficiency LEDs mounted to metal-core circuit board to maximize heat dissipation.
- Terminal block provided accepts up to 10ga wire.
- Driver is fully encased in potting material for moisture resistance and complies with FCC standards. Driver and key electronic components can easily be accessed.

**Construction**

- Rugged die-cast aluminum housing contains factory prewired driver and optical unit. Cast aluminum wiring access door located underneath.
- Fixtures are finished with WLS's DuraGrip® polyester powder coat finishing process. The DuraGrip finish withstands extreme weather changes without cracking or peeling. Other standard WLS finishes available.
- Shipping weight: 37 lbs in carton.

**Controls**

- The integral passive infrared motion sensor (IMS) activates switching of luminaire light levels.
- The 7-pin ANSI C136.41-2013 photocontrol receptacle option (CRP) is available for twist lock photocontrols or wireless control modules.
- The Button Type Photocells (PC) are capable of switching luminaires ON/OFF in response to the amount of available light.

**Installation**

- A single fastener secures the hinged door, underneath the housing and provides quick & easy access to the electrical compartment for installing/servicing.
- Included terminal block accepts up to a 12 ga. wire.
- Utilizes WLS's traditional B3 drill pattern for easy fastening of WLS products.

**Warranty**

- WLS LED Fixtures carry a 5-year limited warranty.

**Listings**

- Listed to UL 1598 and UL 8750.
- Meets Buy American Act requirements.
- DA compliant with 3000K color temperature selection.
- Title 24 Compliant; see local ordinance for qualification information.
- Suitable for wet locations.
- IP66 rated Luminaire per IEC 60598-1.
- 30 rated for ANSI C136.31 high vibration applications/applications are qualified.
- IP66 rated luminaire per IEC 60602 mechanical impact code.
- DesignLights Consortium™ (DLC) qualified product. Not all versions of this product may be DLC qualified. Please check the DLC Qualified Products List at www.designlights.org/QPL to confirm which versions are qualified.
- Patented Silicone Optics (US Patent NO. 10,816,165 B2)



Project Name: \_\_\_\_\_  
Date: \_\_\_\_\_  
Location: \_\_\_\_\_  
Notes: \_\_\_\_\_

**01 REV. 04/22**  
Specifications subject to change without notice.



Type:

## LXL SERIES DECORATIVE LED



**DIMENSIONS**



Made in the U.S.A. of the U.S. and imported parts. Meets Buy American requirements for ARRA.

**WLS LIGHTING SYSTEMS**

1919 Windsor Place  
Fort Worth, TX 76110  
800.633.8711  
www.wslighting.com

**SPECIFICATIONS**

**CONSTRUCTION**

- Rugged die-cast aluminum housing.
- Cast aluminum wiring access door located in lower hub/fitter.
- Rigid die-cast aluminum arms for consistency and strength.
- Precision die-cast aluminum heat sink and optical frame.
- Removable spun aluminum cap/driver enclosure is retained by captive stainless steel fasteners and safety cables.
- Housing and top cap interface is sealed with a one-piece extruded silicone gasket.
- All exposed fasteners are black oxide coated stainless steel. Internal fasteners are stainless steel or zinc electroplated steel.
- IP65 rated luminaire protects integral components from harsh environments.
- 1.5G rated for ANSI C136.31 high vibration applications.
- Fixtures are finished with WLS's DuraGrip® polyester powder coat finishing process. The DuraGrip finish withstands extreme weather changes without cracking or peeling. Other standard WLS finishes available. Consult factory.

**OPTICAL SYSTEM**

- State-of-the-Art one piece silicone optic sheet delivers industry leading optical control with an integrated gasket to provide IP66 rated sealed optical chamber in 1 component.
- Proprietary silicone refractor optics provide exceptional coverage and uniformity in IES types 2, 3, 5W and FT.
- Silicone optical material does not yellow or crack with age and provides a minimum light transmittance of 93%.
- Optical distributions are field rotatable in 90° increments.
- Available in 5000K, 4000K and 3000K (+/- 275K) color temperature.
- Minimum CRI of 70. Consult factory for higher CRI requirements.
- Integral Louver (LL) option available for improved back-light control without sacrificing street side performance.

**ELECTRICAL**

- High-performance driver features over-voltage, under-voltage, short-circuit and over temperature protection.
- 0-10V dimming (10% - 100%) standard.
- Standard Universal Voltage (120-277 VAC) Input 50-60 Hz or optional High Voltage (347-480 Vac).
- L70 Calculated Life > 100K Hours (See Lumen Maintenance on Page 2)
- Total harmonic distortion < 20%
- Operating temperature: -40°C to +50°C (-40°F to +122°F)
- Power factor > .90
- Input power stays constant over life.
- Field replaceable surge protection device meets a minimum Category C Low operation (per ANSI/IEEE C62.41.2).
- High-efficiency LEDs mounted to metal-core circuit board to maximize heat dissipation.
- Terminal block provided accepts up to 10ga wire; however the luminaire is supplied with a 32' 3 conductor wire harness.
- Components are fully encased in potting material for moisture resistance. Driver complies with FCC standards. Driver and key electronic components can easily be accessed.

**INSTALLATION**

- Mounts to 4" O.D. pole or tenon.
- Secures to pole with 6 stainless steel set screws.
- 32' wire leads are provided bundled in the slip fitter hub for ease of wiring.

**WARRANTY**

- 5-year warranty

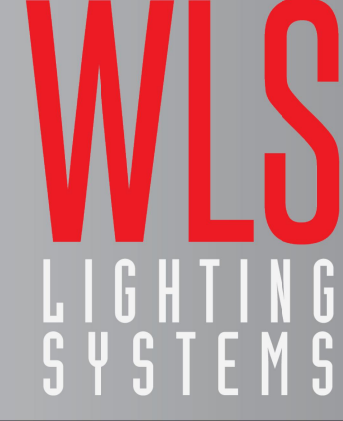
**Listings**

- Listed to UL 1598 and UL 8750.
- State of California Title 24.
- DesignLights Consortium™ (DLC) qualified product. Not all versions of this product may be DLC qualified.
- Meets Buy American Act requirements.
- Suitable for wet locations.
- IP65 rated luminaire. IP66 rated optical chamber.



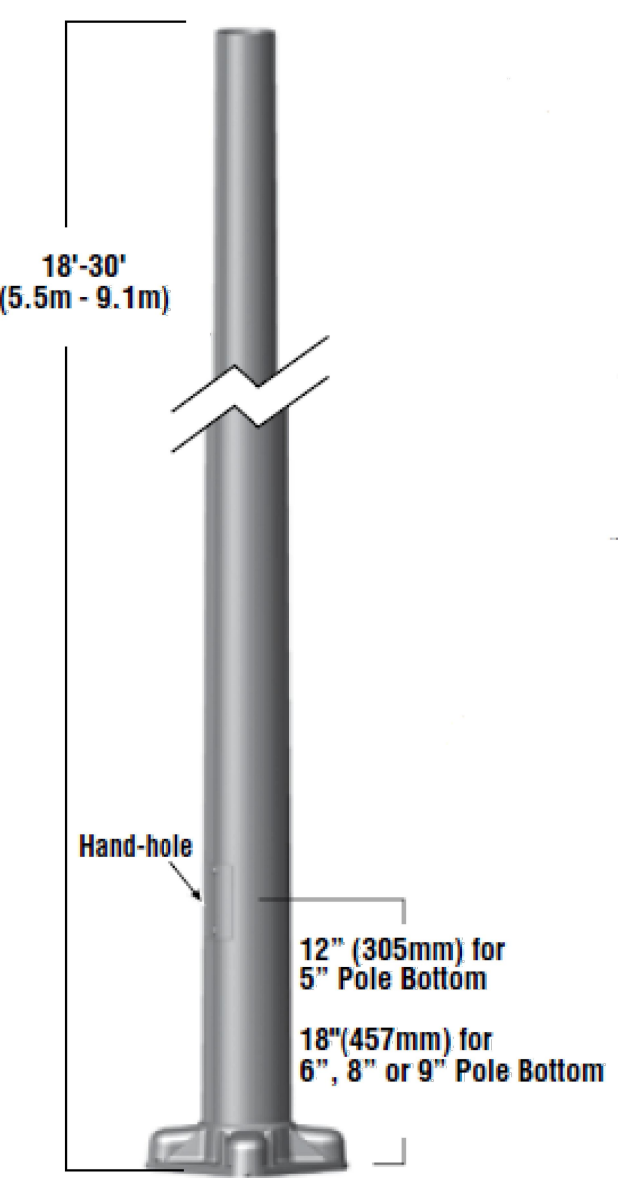
Project Name: \_\_\_\_\_  
Date: \_\_\_\_\_  
Location: \_\_\_\_\_  
Notes: \_\_\_\_\_

**01 REV. 11/20**  
Specifications subject to change without notice.



Type:

## RTA SERIES ROUND TAPERED ALUMINUM POLE

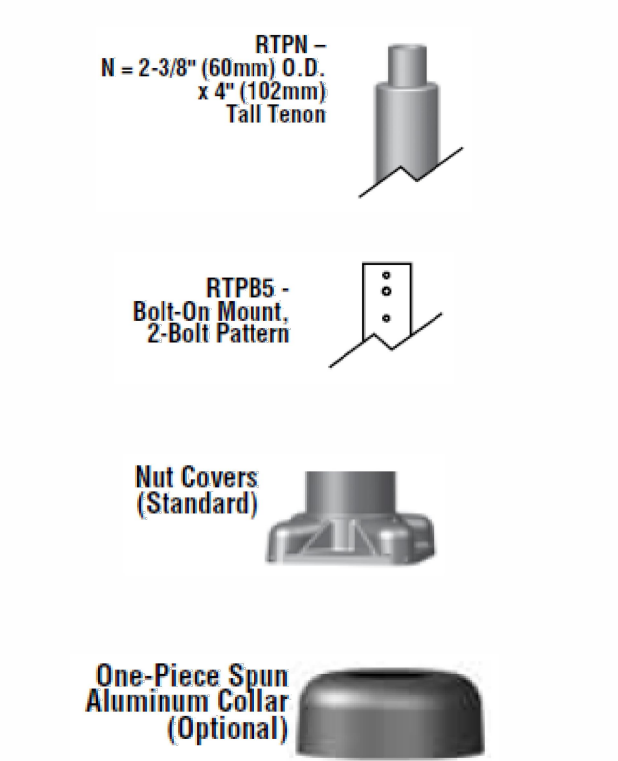


**18'-30"**  
(5.5m - 9.1m)

Hand-hole

**12" (305mm) for 5" Pole Bottom**

**18" (457mm) for 6", 8" or 9" Pole Bottom**



Made in the U.S.A. of the U.S. and imported parts. Meets Buy American requirements for ARRA.

**WLS LIGHTING SYSTEMS**

1919 Windsor Place  
Fort Worth, TX 76110  
800.633.8711  
www.wslighting.com

**SPECIFICATIONS**

**POLE SHAFT**

The pole shaft is spun from seamless alloy aluminum. On Tenon Mount poles, tenon is 2-3/8" O.D. x 4" tall high-strength pipe.

**HAND HOLE**

On listed poles 20' and under, standard non-reinforced hand-hole is 2' x 4'. For poles with greater EPA rating, reinforced hand-hole is available as an option; consult factory. Listed poles 25' and above have a 4' x 6' reinforced hand-hole as standard. Hand-hole gasket and cover are provided. Hand-hole is located 12" above pole base on poles with 5" O.D. bottom and 18" above pole base on poles with 6", 8" or 9" O.D. bottom (see Pole Selection Chart below). Optional festoon for GFI receptacle (with or without GFI kit supplied) is available. Minimum height for location of festoon is 18" above standard hand hole.

**BASE**

Pole base is cast from 356 alloy aluminum. Completed assembly is heat-treated to a T6 temper. Aluminum nut covers are included with anchor base.

**BASE COVERS**

Aluminum nut covers are included with anchor base. Optional one-piece round spun aluminum collars are available for poles with 5", 6" or 8" O.D. bottom (see Pole Selection Chart below). Must be ordered separately.

**ANCHOR BOLTS**

Set of four anchor bolts conform to ASTM F1554 Grade 55. Each bolt is provided with two hex nuts and two flat washers. Bolts have an "L" bend on one end and are galvanized a minimum of 12" on the threaded end.

**GROUND LUG**

Ground lug is standard.

**GROUND FAULT CIRCUIT INTERRUPTER**

Ground fault circuit interrupter kit is optional. Pole Preparation (festoon) with GFI Kit must be ordered. Specify location in feet above base of pole and side orientation. Minimum height for location of festoon is 18" above standard hand hole.

**FINISHES**

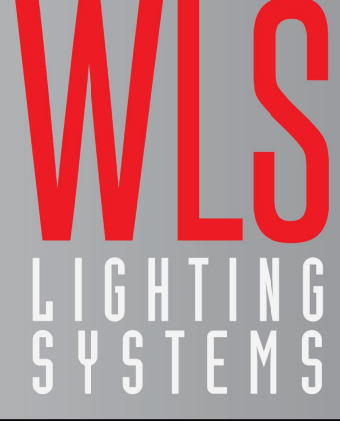
Baked on polyester powder finish provides one year limited warranty.

**DETERMINING THE LUMINAIRE/POLE COMBINATION FOR YOUR APPLICATION:**

- Select luminaire from luminaire ordering information
- Select bracket configuration if required
- Determine EPA value from luminaire/bracket EPA chart
- Select pole height
- Select MPH to match wind speed in the application area (See windspeed map).
- Confirm pole EPA equal to or exceeding value from note above
- Confirm total luminaire/bracket weight does not exceed maximum weight shown in chart below
- Consult factory for special wind load requirements and banner brackets

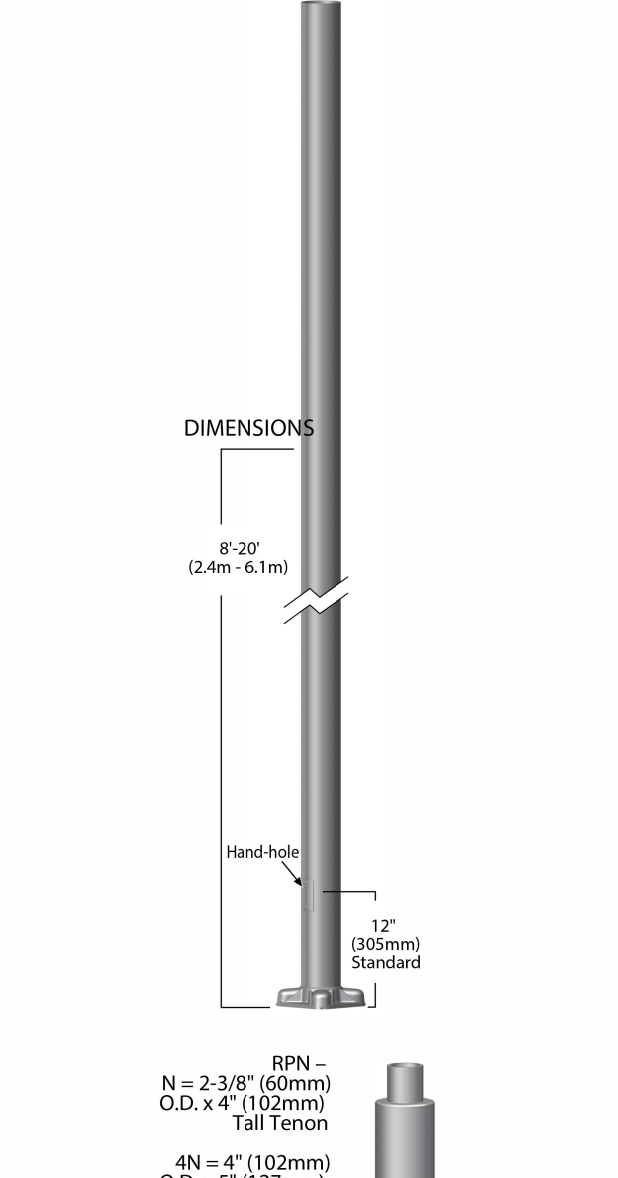
Project Name: \_\_\_\_\_  
Date: \_\_\_\_\_  
Location: \_\_\_\_\_  
Notes: \_\_\_\_\_

**01 REV. 12/19**  
Specifications subject to change without notice.

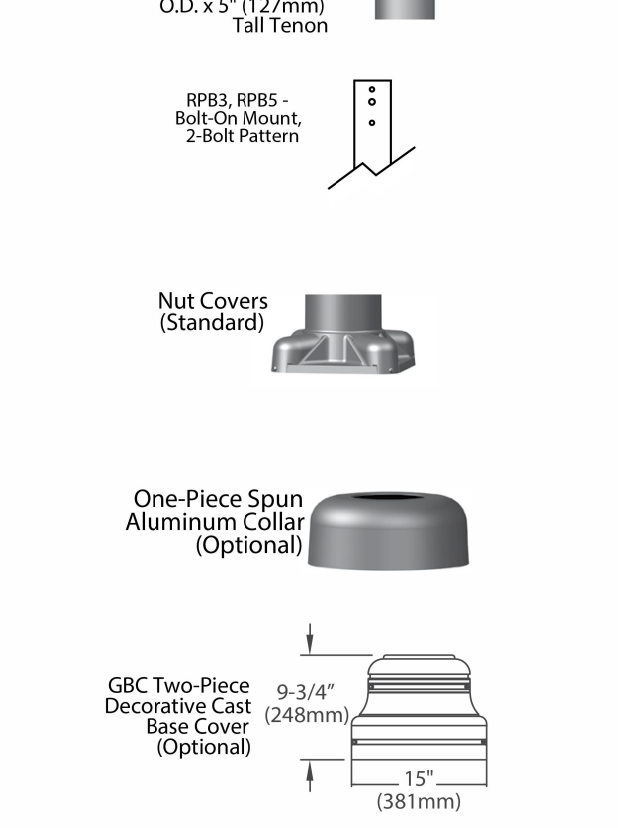


Type:

## RNTA SERIES ROUND NON-TAPERED ALUMINUM



**DIMENSIONS**



Made in the U.S.A. of the U.S. and imported parts. Meets Buy American requirements for ARRA.

**WLS LIGHTING SYSTEMS**

1919 Windsor Place  
Fort Worth, TX 76110  
800.633.8711  
www.wslighting.com

**SPECIFICATIONS**

**POLE SHAFT**

The pole shaft is extruded from seamless alloy aluminum. On tenon mount poles, tenon is of high-strength pipe. Tenon N option is 2-3/8" O.D. x 4" tall. Tenon 4M option is 4" O.D. x 5" tall. Aluminum round poles are 4" and 5" in diameter.

**HAND HOLE**

Covered and gasketed 2' x 4' non-reinforced hand-hole is located 12" above bottom of pole base. For pole with greater EPA rating, reinforced hand-hole is available as an option; consult factory. Optional festoon for GFI receptacle (with or without GFI Kit supplied) is available. Minimum height for location of festoon is 18" above standard hand hole.

**BASE**

Pole base is cast from 356 alloy aluminum. Completed assembly is heat-treated to a T6 temper. Aluminum nut covers are included with anchor base.

**BASE COVERS**

Aluminum nut covers are included with anchor base. Optional two-piece decorative die-cast aluminum (GBC) base covers or optional one-piece spun aluminum collars are available. Must be ordered separately.

**ANCHOR BOLTS**

Set of four anchor bolts conform to ASTM F1554 Grade 55. Each bolt is provided with two hex nuts and two flat washers. Bolts have an "L" bend on one end and are galvanized a minimum of 12" on the threaded end.

**GROUND LUG**

Ground lug is standard.

**GROUND FAULT CIRCUIT INTERRUPTER**

Ground fault circuit interrupter kit is optional. Pole Preparation (festoon) with GFI Kit must be ordered. Specify location in feet above base of pole and side orientation. Minimum height for location of festoon is 18" above standard hand hole.

**FINISHES**

Baked on polyester powder finish provides one year limited warranty.

**DETERMINING THE LUMINAIRE/POLE COMBINATION FOR YOUR APPLICATION:**

- Select luminaire from luminaire ordering information
- Select bracket configuration if required
- Determine EPA value from luminaire/bracket EPA chart
- Select pole height
- Select MPH to match wind speed in the application area (See windspeed map).
- Confirm pole EPA equal to or exceeding value from note above
- Confirm total luminaire/bracket weight does not exceed maximum weight shown in chart below
- Consult factory for special wind load requirements and banner brackets

Project Name: \_\_\_\_\_  
Date: \_\_\_\_\_  
Location: \_\_\_\_\_  
Notes: \_\_\_\_\_

**01 REV. 12/19**  
Specifications subject to change without notice.

AIRPORT CAMPUS  
NORTH CASTLE, NY

**WLS LIGHTING**  
a WLS company

6820 CORPORATION PKWY  
FORT WORTH, TX 76126  
WWW.WSLIGHTING.COM

WLS-17145

DATE -9/1/22

800-633-8711

PM:HOLLY

BY: J.P.

SHEET 3 OF 3

SCALE: 1" = 40'